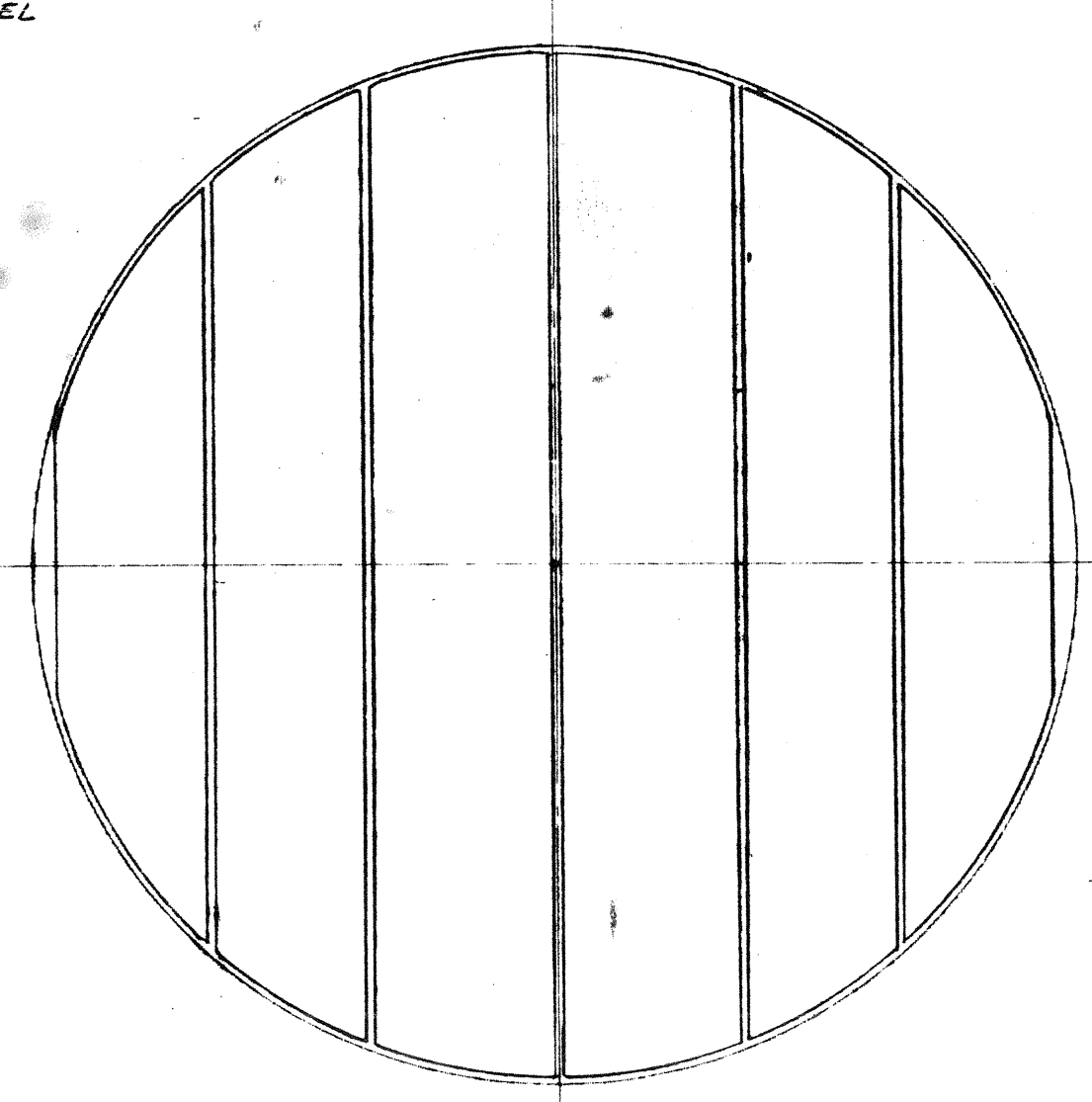
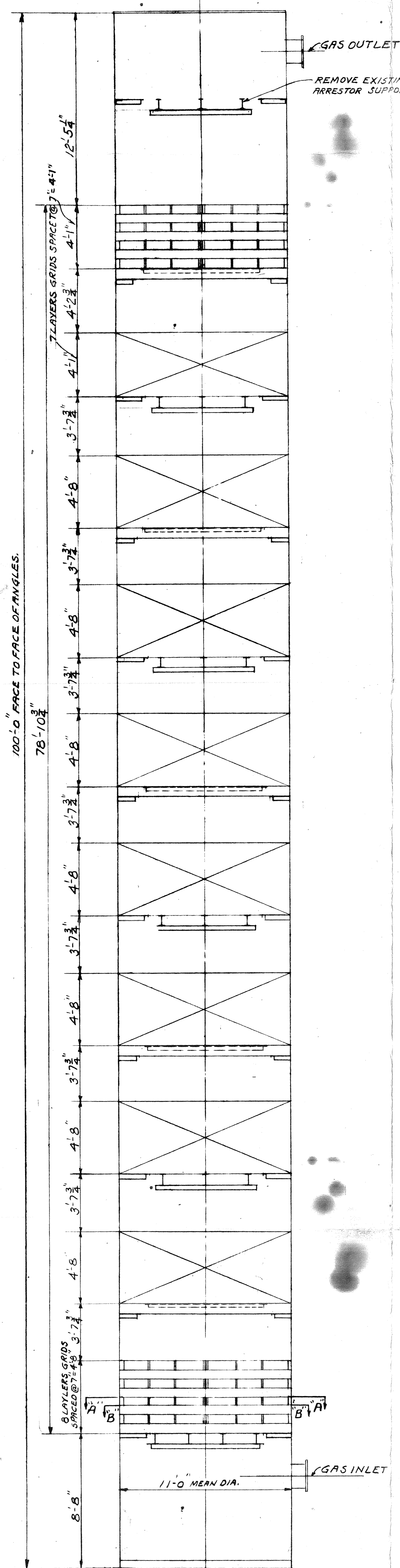
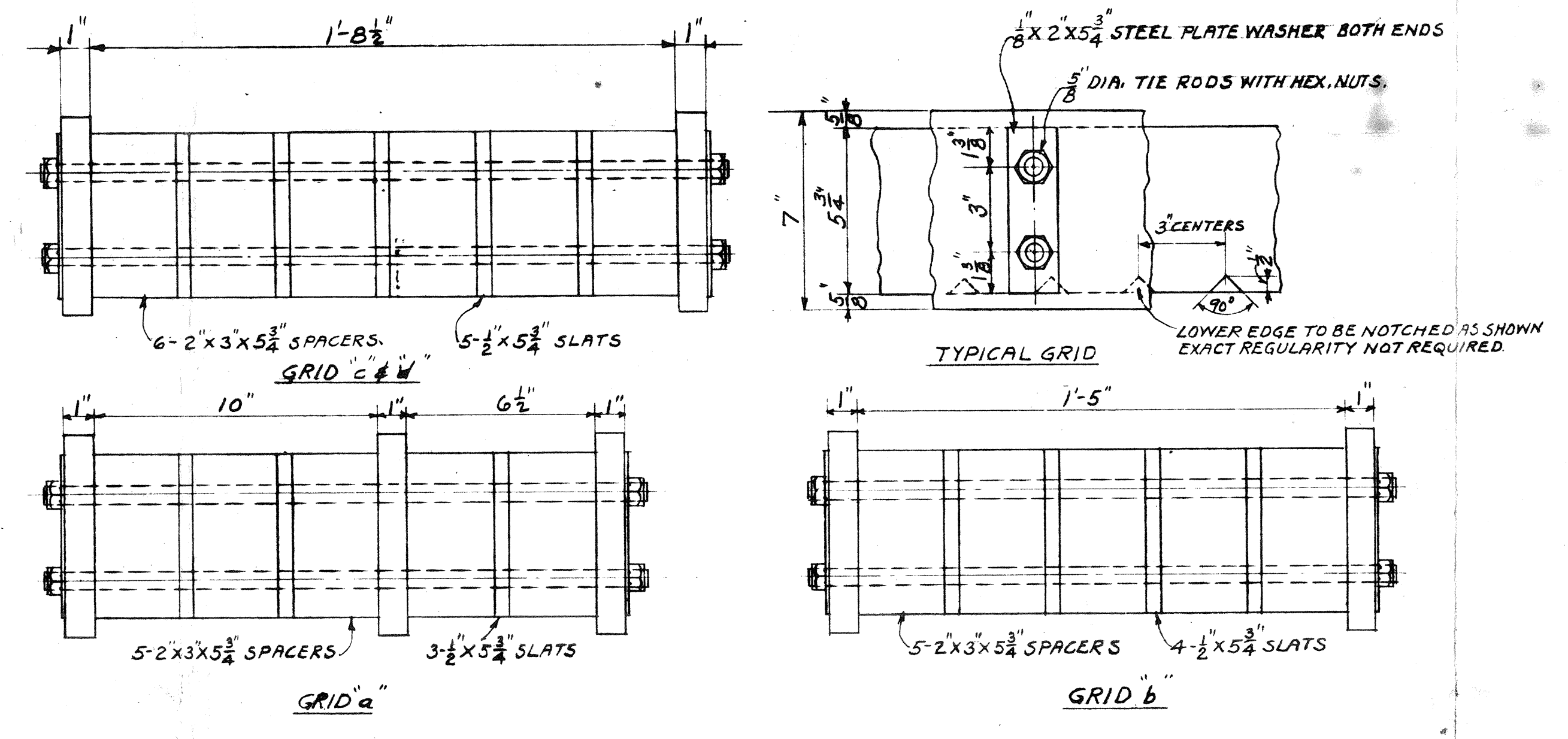


BILL OF MATERIAL			
MARK	NO	DESCRIPTION	MATERIAL
26117-A	78	GRID LAYERS COMPLETE AS SHOWN	SEE NOTE



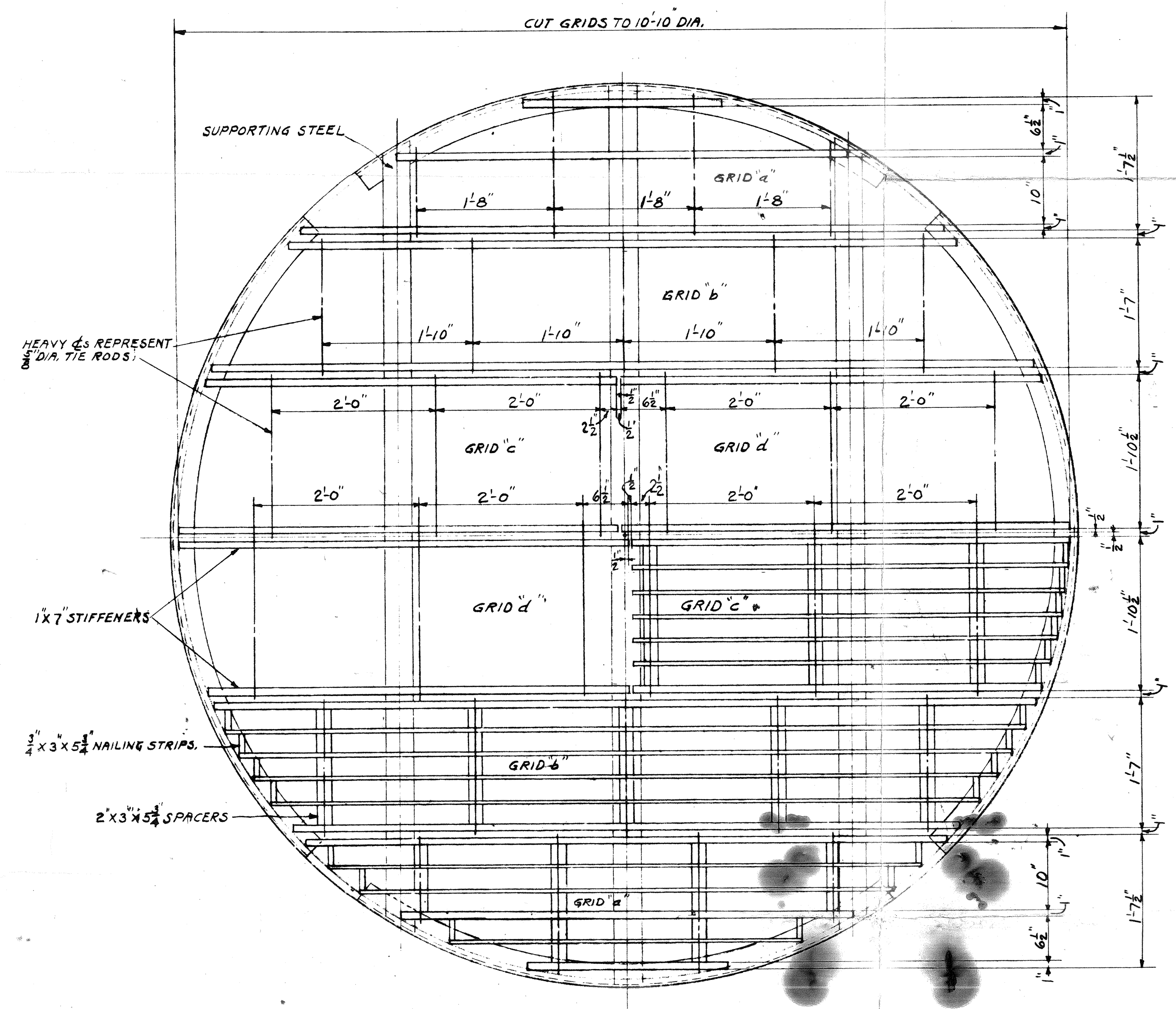
SECTION A-A
SECTION B-B SAME AS A-A
EXCEPT ROTATED 90°



GRID a

GRID b

TYPICAL GRID



GRID LAYER
MK. 26117A

NOTE:
1/2\"/>

REFERENCE DWG.
ARRANGEMENT OF BY-PRODUCT PLANT ----- 26102
FINAL GAS COOLER SPRAY SYSTEM ----- 26119
FINAL GAS COOLER (EXISTING OIL SCRUBBER) SEMET DWG. 34029

This drawing is the property of Wipac Coke Oven Division and is loaned subject to return upon demand and the condition that it is NOT TO BE REPRODUCED, COPIED OR OTHERWISE DISPOSED OF AND IS NOT TO BE USED TO FURNISH ANY INFORMATION FOR THE MAKING OF DRAWINGS, PRINTS OR APPARATUS OR PARTS THEREOF, except where otherwise provided by specific agreement.

BY	DATE	REVISION	CHG.	APPROVED
J.T.S.	JAN 28 1950	1		
H.A.L.		2		

WIPAC COKE OVEN DIVISION
ALLIED CHEMICAL & DYE CORPORATION
BY-PRODUCT COKE AND GAS OVENS
40 HECTOR STREET NEW YORK 6, N. Y.

INTERLAKE IRON CORPORATION SOUTH CHICAGO PLANT, CHICAGO, ILL., 1950	DEC. 26 1950	299-C	17
FINAL GAS COOLER GRIDS.		26117	