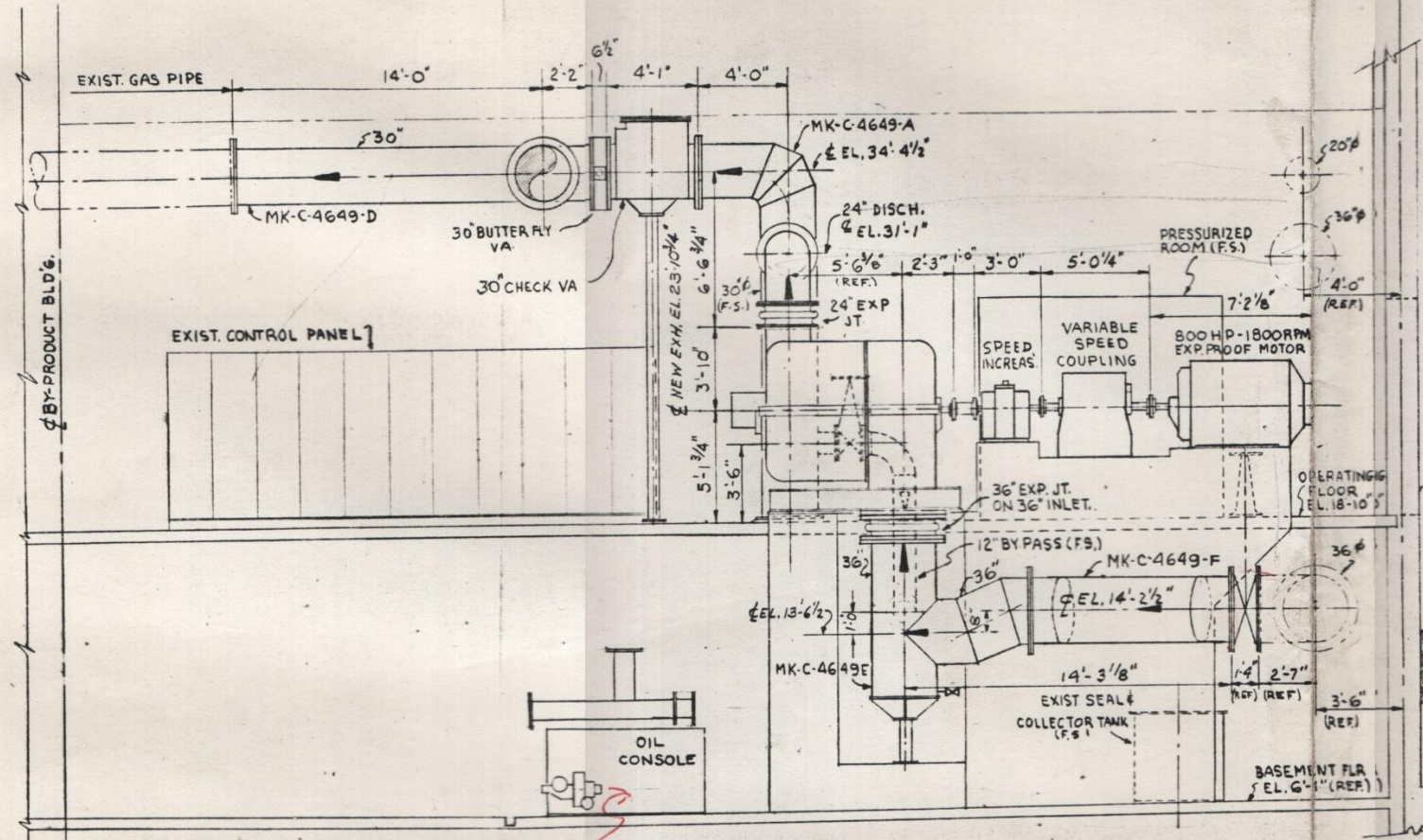


PROJECTS
A-A
B-B
C-C
D-D
E-E
F-F
G-G
H-H
J-J
K-K
L-L
M-M

MK'S A-C-D-E-F-G-H-J-K-L-M-N-P-R-S-T-U-W-X-Y-Z

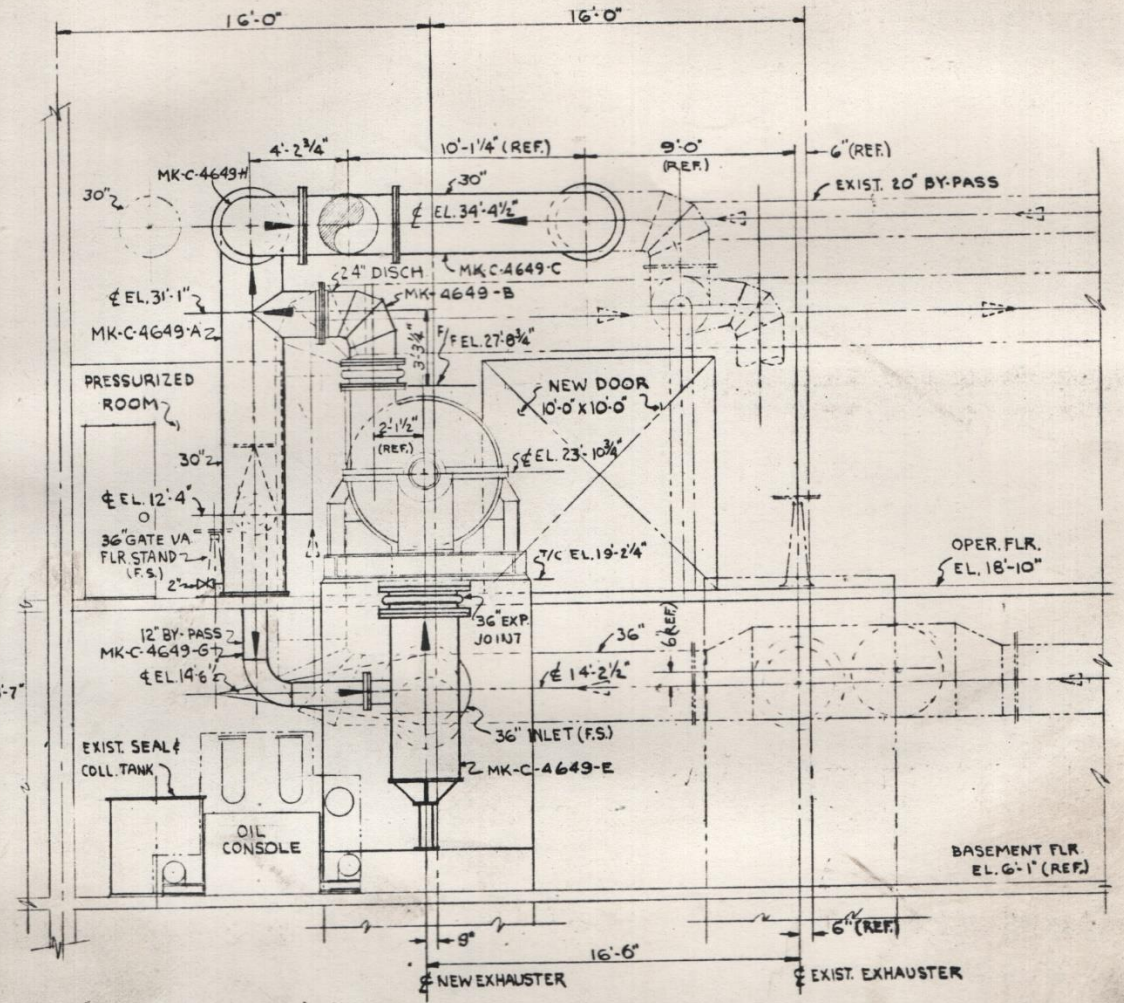
C-4648

BILL OF MATERIAL		
ITEM NO.	NO. REQ'D	DESCRIPTION



MOVE TO
TOP FLOOR LEVEL

SECTION "A-A"
SCALE: 1/4"=1'-0"
(DWG. # C-4647)



SECTION "B-B"
SCALE: 1/4"=1'-0"
(DWG. # C-4647)

NOTE:
FOR GENERAL NOTES
SEE DWG. # C-4647

PRELIMINARY
NOT FOR CONSTRUCTION

C-4649-NEW GAS TURBO EXHAUSTER - DETAILS
C-4647-NEW GAS TURBO EXHAUSTER - PLANS
REFERENCE DRAWINGS LISTED ABOVE

Interlake, Inc.

EC-74-2139
CHICAGO COKE PLANT
NEW TURBO GAS EXHAUSTER
SECTIONS

REVISIONS

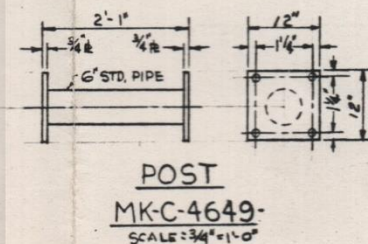
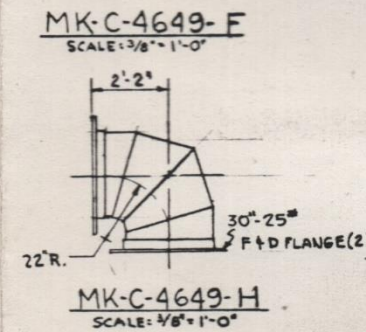
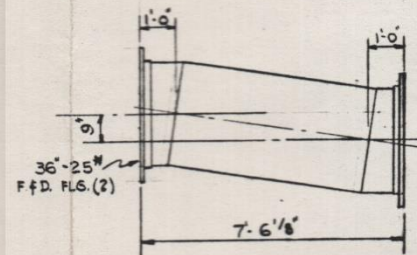
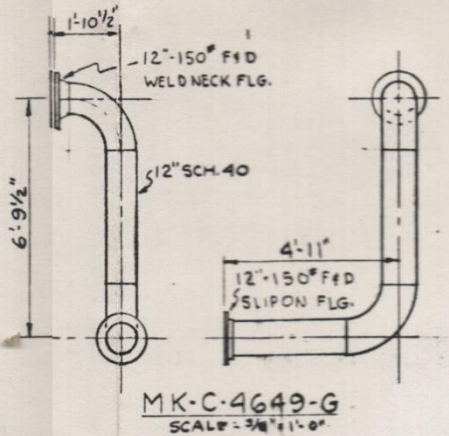
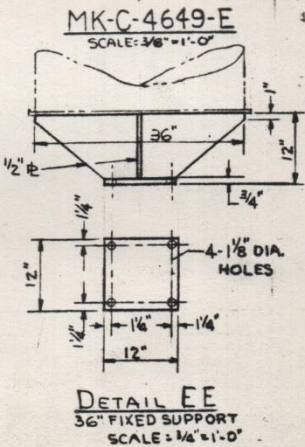
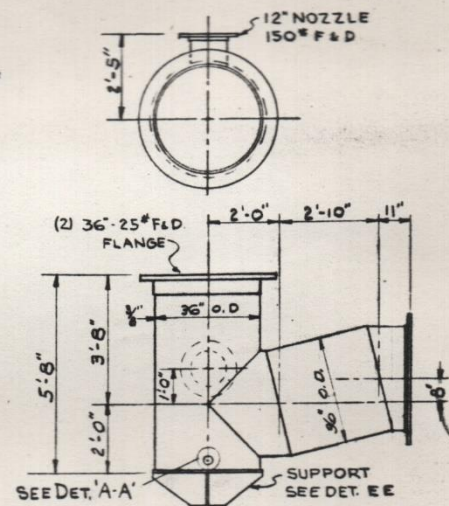
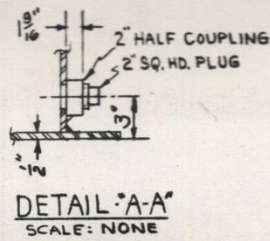
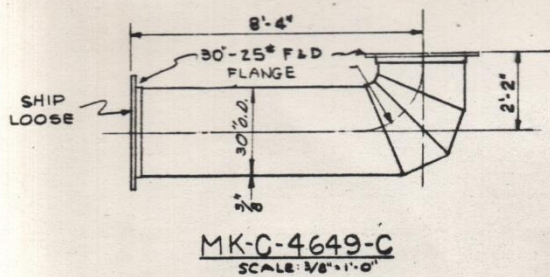
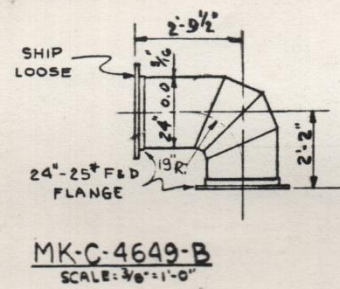
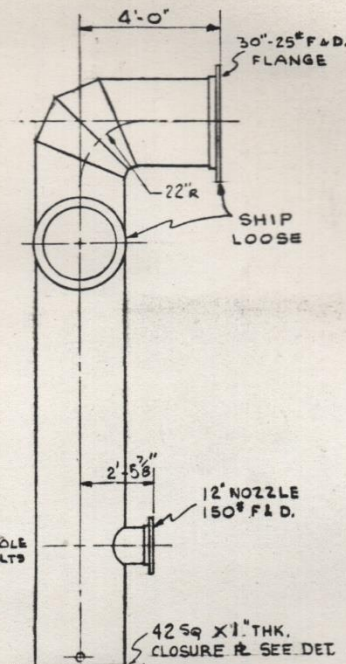
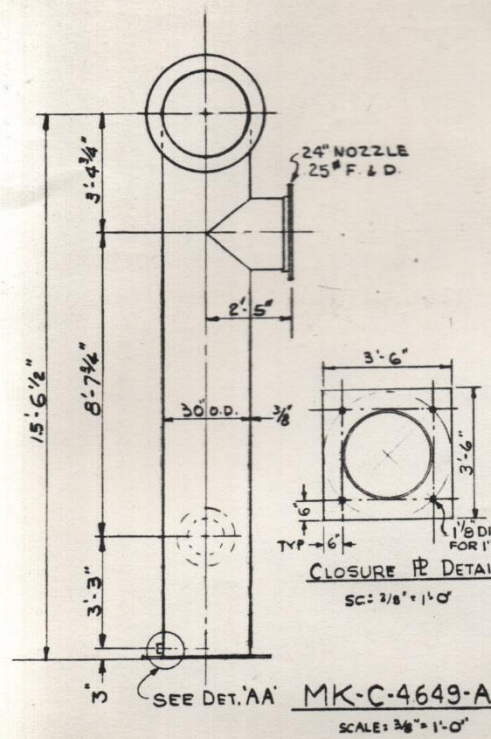
NOTE: This drawing (or print) is the property of Interlake, Inc. U.S.A. and shall not be traced, or reproduced in any manner, nor used for any purpose whatsoever except by written permission of Interlake, Inc.

DO NOT SCALE WORK TO DIMENSIONS

DR. KLEIN
CH.
APP.

C-4648

BILL OF MATERIAL		
ITEM NO.	NO. REQ'D	DESCRIPTION



NOTE:
FOR GENERAL NOTES
SEE DWG. C-4647

PRELIMINARY
NOT FOR CONSTRUCTION

C-4646-NEW TURBO GAS EXHAUSTER - SECTIONS	
C-4647-NEW TURBO GAS EXHAUSTER - PLANS	
REFERENCE DRAWINGS LISTED ABOVE	
Interlake, Inc.	
EC-74-2139	
CHICAGO COKE PLANT NEW TURBO GAS EXHAUSTER DETAILS	

REVISIONS

NOTE: This drawing (or print) is the property of the Interlake, Inc. U.S.A. and shall not be traced, or reproduced in any manner, nor used for any purpose whatsoever except by written permission of Interlake, Inc.

DO NOT SCALE WORK TO DIMENSIONS

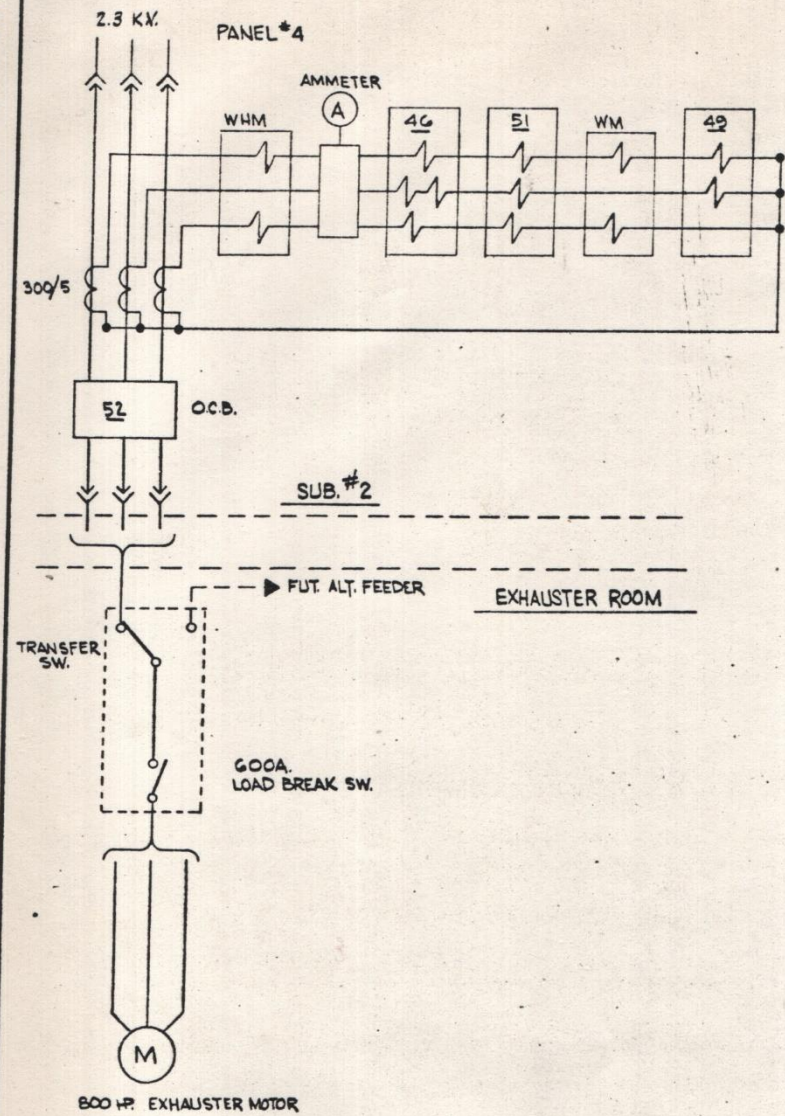
DR. KLEIN	CH.
CH.	APP.

C-4649

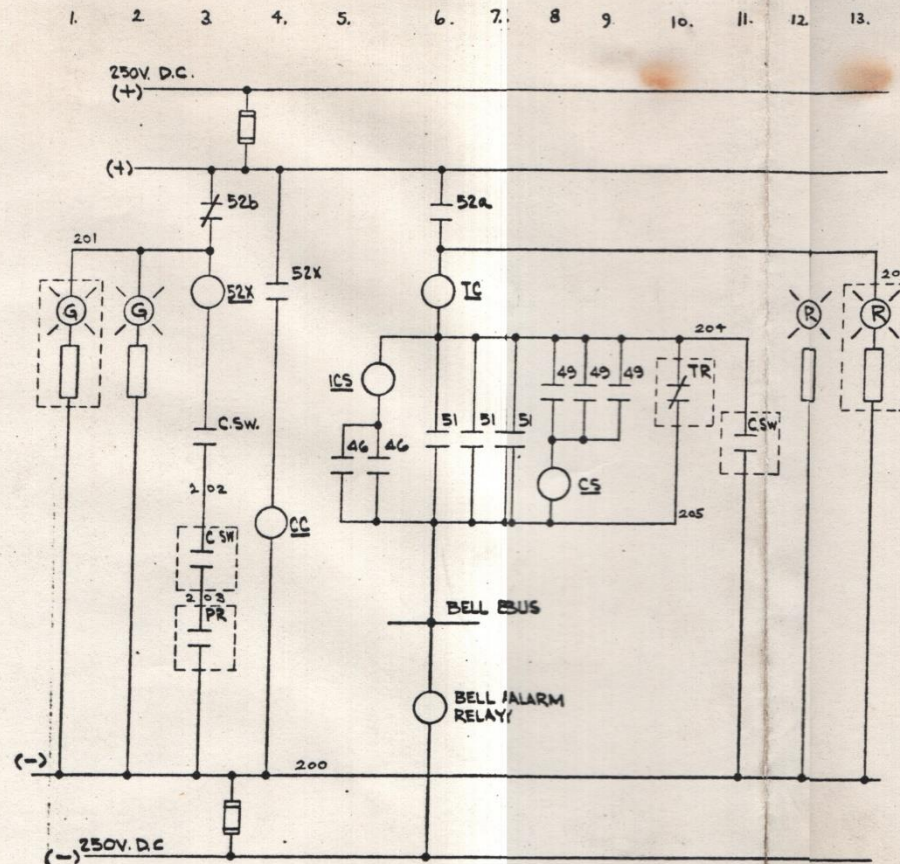
SECT'S
A-A
B-B
C-C
D-D
E-E
F-F
G-G
H-H
J-J
K-K
L-L
M-M

MK'S A-C-D-E-F-G-H-J-K-L-M-N-P-R-S-T-U-W-X-Y-Z

C-4671-E

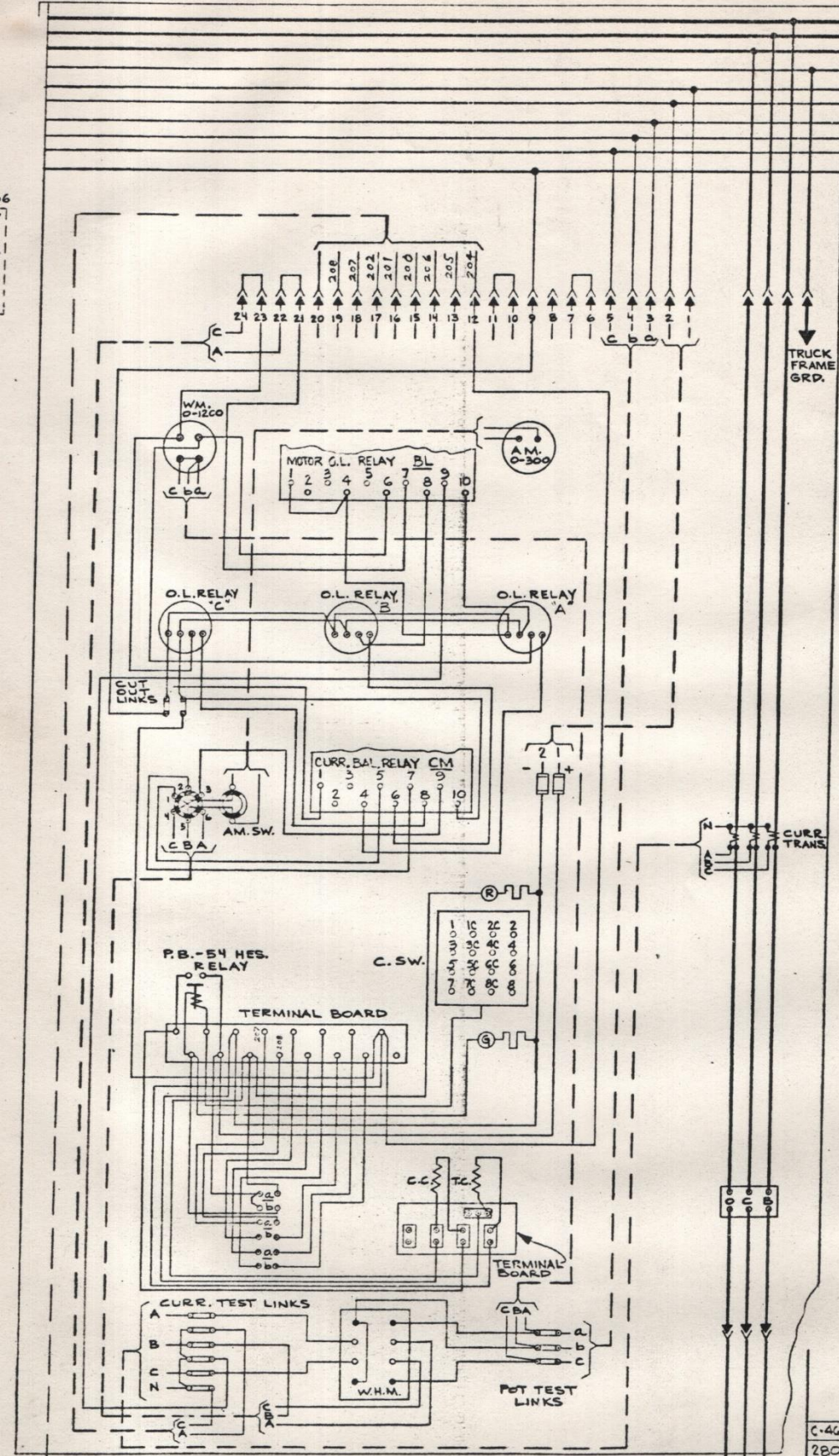


SINGLE LINE



CONTROL ELEMENTARY

PANEL # 4
TURBO GAS EXHAUSTER



BILL OF MATERIAL	
ITEM NO.	DESCRIPTION

2.3 KV
D.C.
A.C. MTRG.
BELL BUS

C-4671-E - EXHAUSTER ROOM LAYOUT
280-1E14 - WIRING DIAG. OF MISC. AC PANELS
REFERENCE DRAWINGS LISTED ABOVE

Interlake, Inc.

EC-74-2139 C-2970/73

CHICAGO COKE PLANT
TURBO GAS EXHAUSTER
MOTOR CONTROL WIRING & ELEMENTARY

REVISIONS

NOTE: This drawing (as printed) is the property of Interlake, Inc. U.S.A. and shall not be traced, or reproduced in any manner, nor used for any purpose whatsoever except by written permission of Interlake, Inc.

DO NOT SCALE WORK TO DIMENSIONS

DR. RESNER
CH. APP.

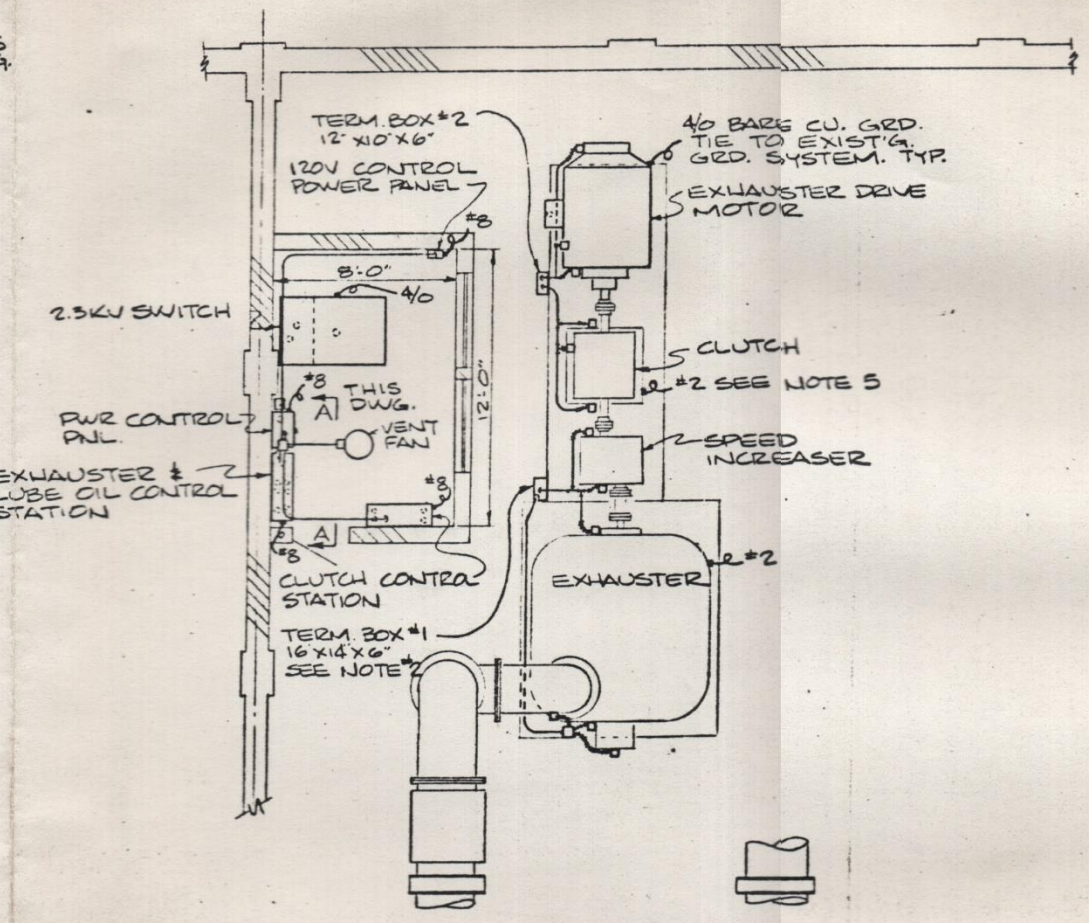
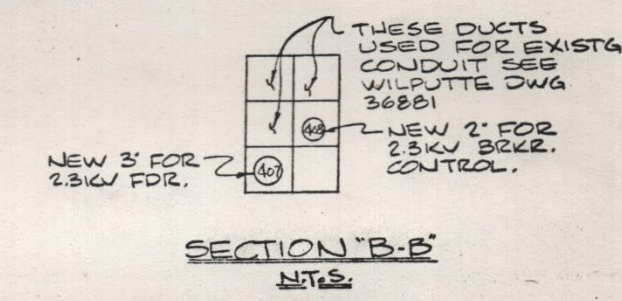
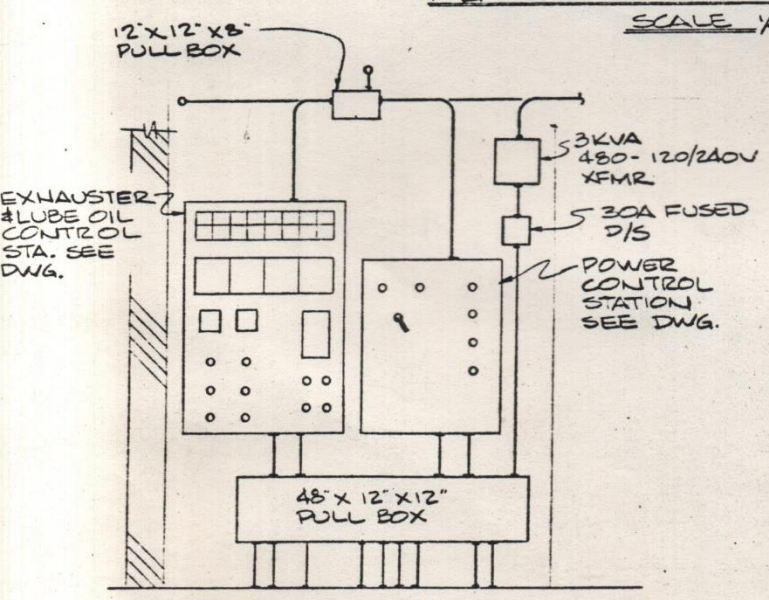
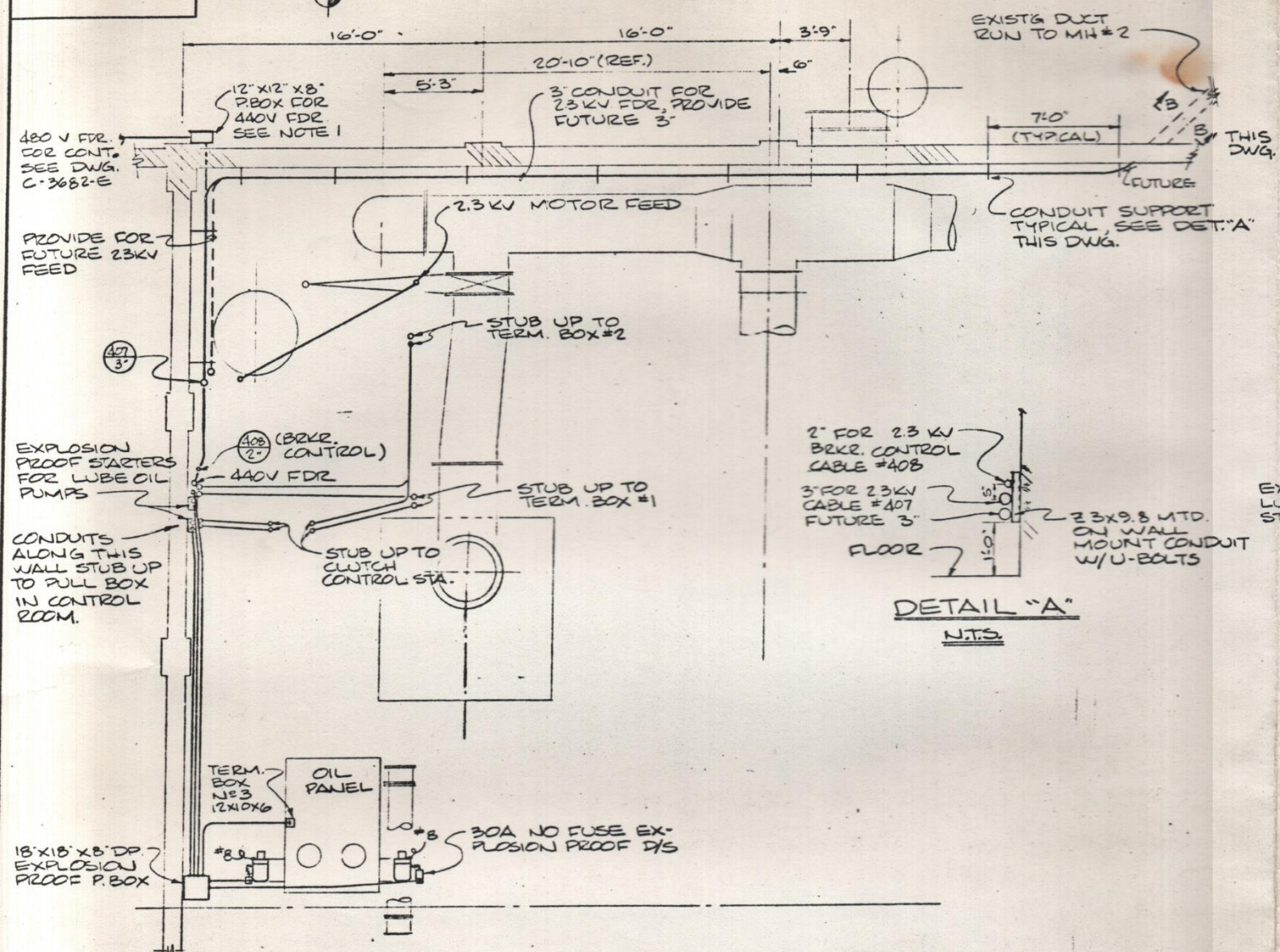
C-4671-E

SECT'S
A-A
B-B
C-C
D-D
E-E
F-F
G-G
H-H
J-J
K-K
L-L
M-M

MK'S A-C-D-E-F-G-H-J-K-L-M-N-P-R-S-T-U-W-X-Y-Z

BILL OF MATERIAL

ITEM NO.	NO.	DESCRIPTION
----------	-----	-------------



OPERATING FLOOR & CONTROL RM. PLAN
SCALE 1/4"=1'-0"

- NOTES:**
- PULL BOX TO BE FABRICATED FROM 3/16" GALV. STEEL & HAVE OUTSIDE FLANGES.
 - TERM. BOXES N#1 & #2 TO BE EXPLOSION PROOF.
 - ALL CONSTRUCTION TO CONFORM TO CHICAGO CODE & SPEC. II-1200
 - SEAL-OFFS SHALL BE INSTALLED ON ALL CONDUITS ENTERING THE BLDG. & ON ALL CONDUITS ENTERING THE CONTROL ROOM.
 - ALL GRD. CABLES SHALL BE BARE CU. & CONNECTIONS MADE BY METAL FUSION PROCESS.
 - THESE ARE WILPUTTE DWGS.

NOTE 6C

C-3622-E	480V ONE LINE DIAG.
C-3467-E	ONE LINE DIAG 2300V DIST.
E-26(280-1)	S&L CABLES IN SUBSTA. TUNNEL
E-19(280-1)	S&L CABLE & CONDUIT IN SUBSTA.
E-8(280-1)	S&L ELEC CONNECTIONS AT AC BUS
26X28	CABLE DUCT SYSTEM CABLE SCHEDULE
36881	LTO LAYOUT EXHAUSTER BLDG BUNT.
C-3682-E	CYANIDE TRAIT. PLT. ELEC. ELEM. & LAYOUT

REFERENCE DRAWINGS LISTED ABOVE

Interlake, Inc.

EC-74-2139 C2970/73

COKE PLANT
TURBO EXHAUSTER
ELEC. CONDUIT PLAN
SECTIONS & DETAILS

C-4672-E

REVISIONS

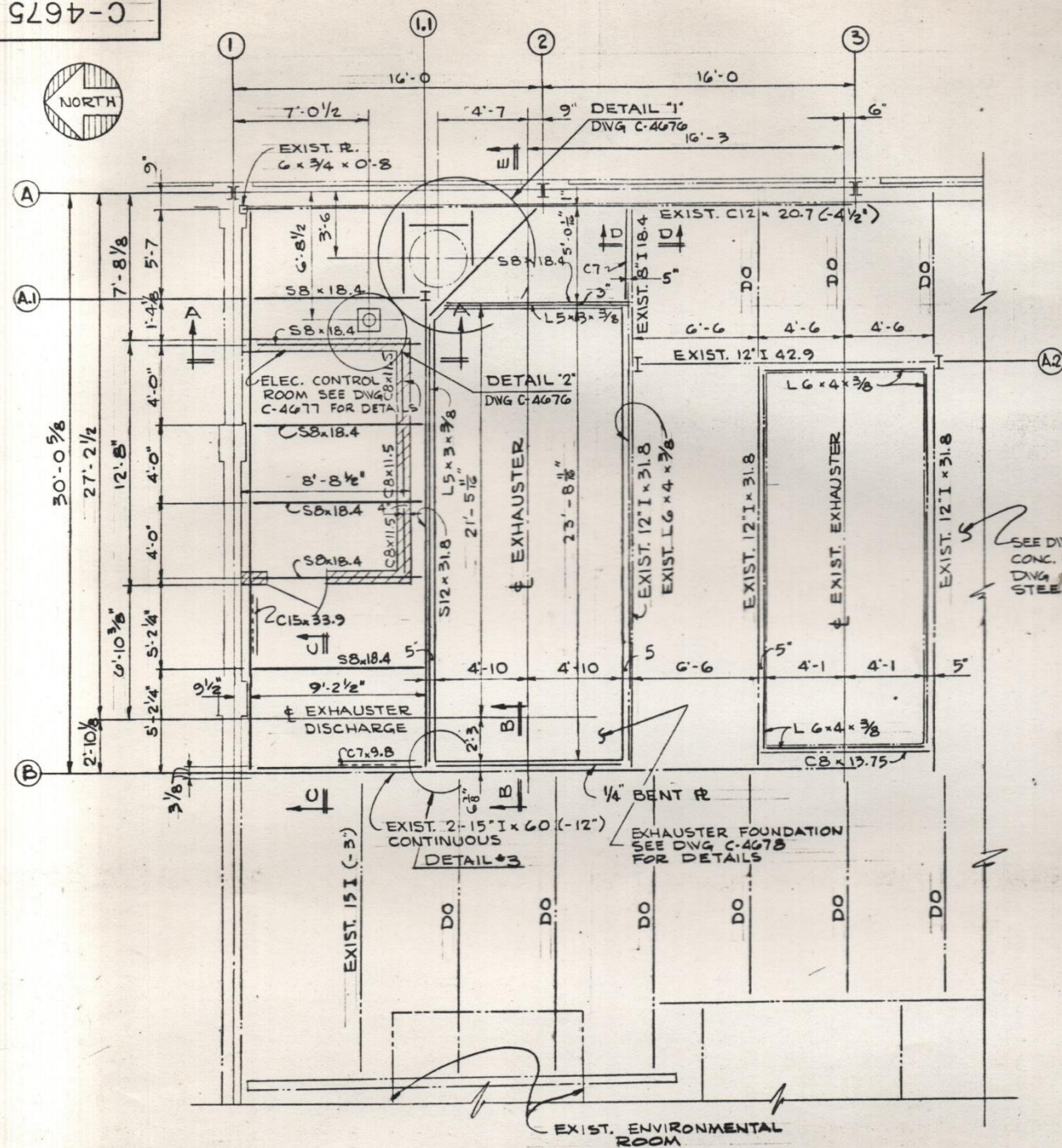
NOTE: This drawing (or print) is the property of Interlake, Inc. U.S.A. and shall not be traced, reproduced in any manner, nor used for any purpose whatsoever except by written permission of Interlake, Inc.

DO NOT SCALE WORK TO DIMENSIONS

APP

C-4675

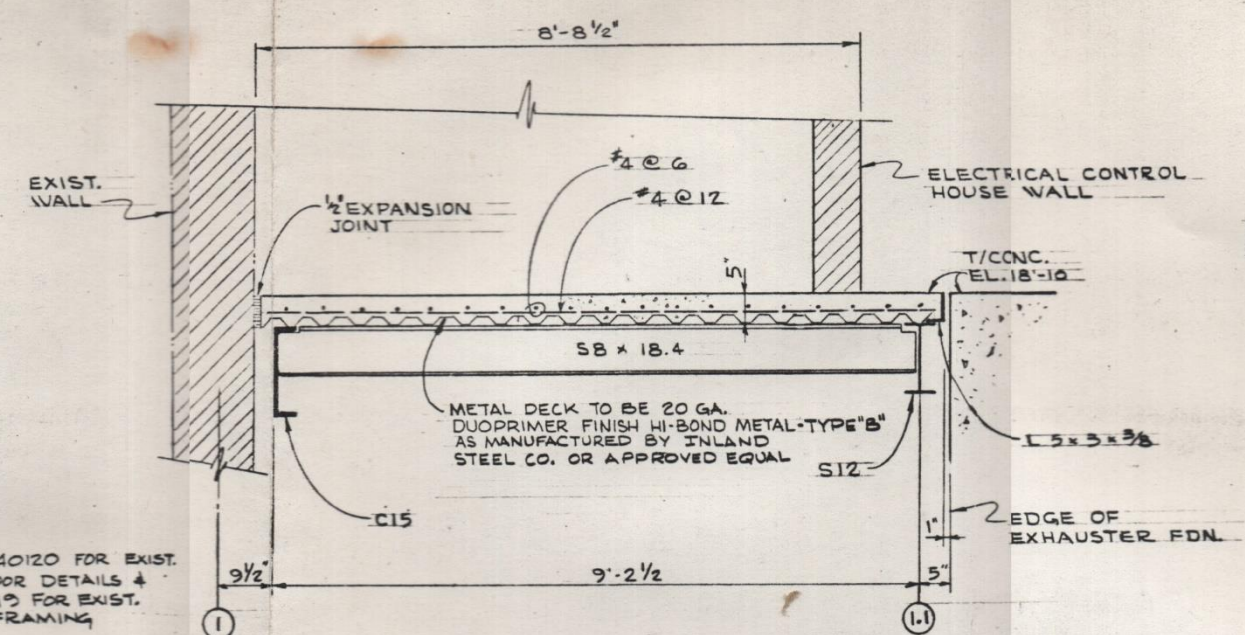
ECTS
A-A
B-B
C-C
D-D
E-E
F-F
G-G
H-H
J-J
K-K
L-L
M-M



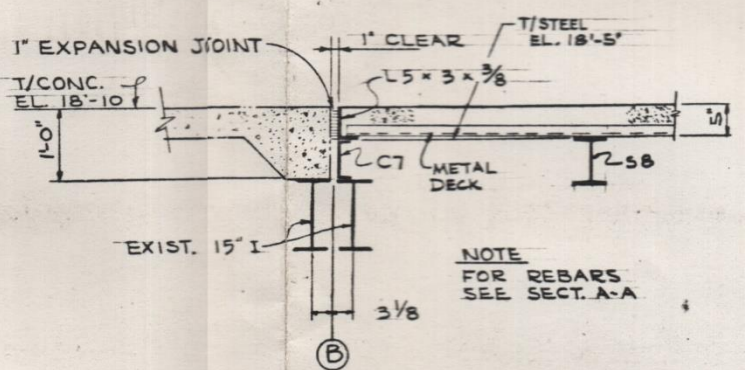
PLAN @ EL. 18'-10"
SCALE: 1/4" = 1'-0"
T/FIN. FLOOR EL. 18'-10" UNLESS NOTED
T/NEW STEEL (-5")

GENERAL NOTES
Structural steel shall be of A-36 designation.
All connections shall be standard AISC bolted (2 bolt minimum) or welded, except as noted.
All welding shall be with E70XX electrodes conforming to AWS and AISC standards, except as noted.
All bolt connections shall be 3/4" @ A-325 H.S. bolts, except as noted.
Structural steel shall receive one shop coat of orange rust-oleum #1069 or approved equal.
Grout for column bases shall be Sauerisen F-100 Level Fill Grout or Embecco 636 Grout or approved equal.
Unless noted otherwise, all machinery bases shall be shimmed and grouted to their indicated elevations with "Cellcote HI 648" epoxy grout, applied in accordance with the manufacturer's instructions.
Three copies of all shop drawings shall be submitted for Structural Engineering Department approval. The approved original tracing or mylar shall be given to Interlake after erection.
Contractor to verify all dimensions in field and/or underground utilities before starting work or fabrication.

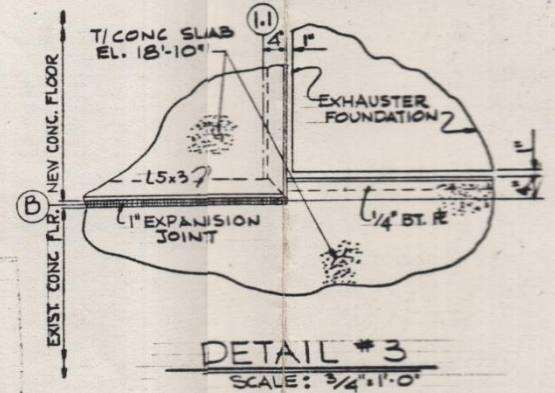
Any substitution for stated equipment shall be submitted in writing and approved by Structural Engineering Department.
Concrete shall have minimum 3000 compressive psi strength at 28 days, unless noted.
Re-bars shall be deformed grade 60 billet steel bars, ASTM A615.
Re-bar clearance: (A) 3" for concrete against ground, (B) for sides and top: 1-1/2" for #5 and smaller, 2" for #6 and larger.
Re-bar splices shall be at least 30 bar diameters overlap with 18" minimum and shall also be in accordance with the latest A.C.I. specifications.
Bevel all exposed concrete corners 1" x 45°.
All concrete work shall conform to current A.C.I. standards where applicable.
Use Dur-o-wall or approved equal truss type masonry wall reinforcement in every other course of concrete block.
Apply one coat of "Thoroseal" or approved equal on all exterior concrete block walls.



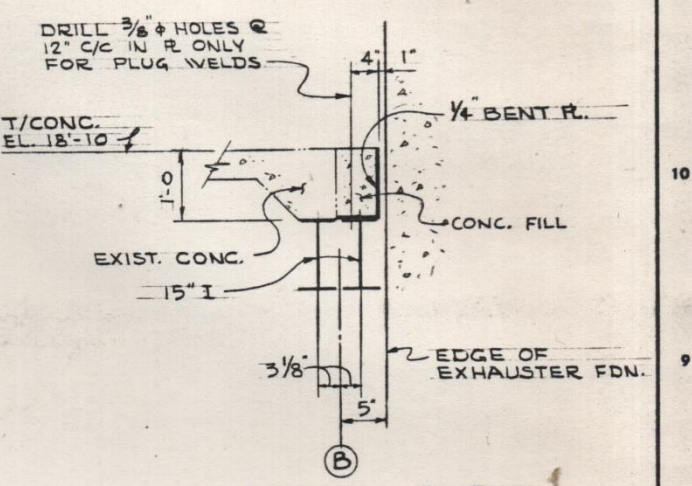
SECTION A-A
SCALE: 3/4" = 1'-0"



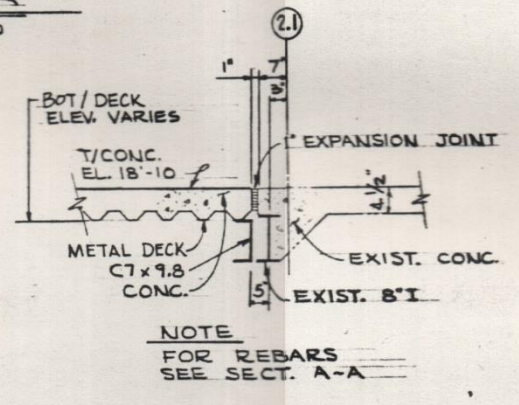
SECTION C-C
SCALE: 3/4" = 1'-0"



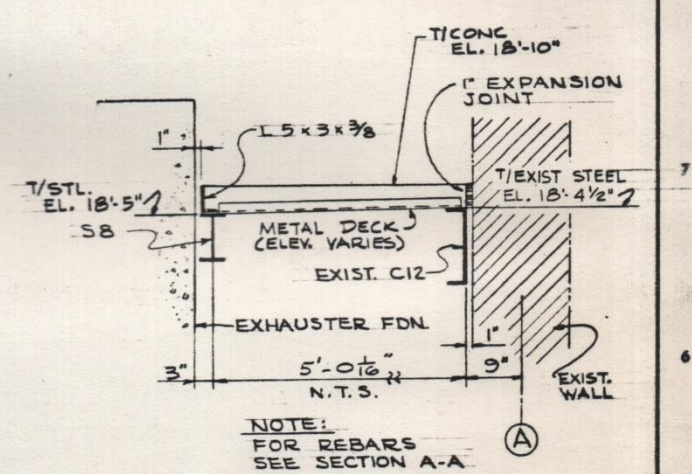
DETAIL #3
SCALE: 3/4" = 1'-0"



SECTION B-B
SCALE: 3/4" = 1'-0"



SECTION D-D
SCALE: 3/4" = 1'-0"



SECTION E-E
SCALE: 3/4" = 1'-0"

HOLD - ALL DIMENSIONS INDICATED MUST BE VERIFIED WITH FINAL EQUIPMENT DRAWINGS

PRELIMINARY
NOT FOR CONSTRUCTION
3-19-76

BILL OF MATERIAL

ITEM NO.	NO. REQD.	DESCRIPTION
----------	-----------	-------------

C-4647	MECHANICAL PLAN @ OPERATING FLOOR
C-4675	OPERATING FLOOR EXTENSION
C-4676	MISC. CONC. SECTIONS & DETAILS
C-4677	ELECTRICAL CONTROL ROOM
C-4678	EXHAUSTER FOUNDATION
C-4679	DEMOLITION PLAN & DETAILS
40120	EXHAUSTER HSE. OPERATG. FLR. CONC.
40119	EXHAUSTER HSE. OPERATG. FLR. STL.
74357	EXHAUSTER BLDG.
14318	EXHAUSTER BLDG., FDN.
10225	FLR. @ WASHERS & SCRUBBERS, B.P. BLDG.
8766	ELEVS. & SECT. OF WALLS, B.P. BLDG.

REFERENCE DRAWINGS LISTED ABOVE

Interlake, Inc.

EC-2139
CHICAGO COKE PLANT
NEW TURBO GAS EXHAUSTER
OPERATING FLOOR EXTENSION
PLAN & SECTIONS - STEEL & CONCRETE

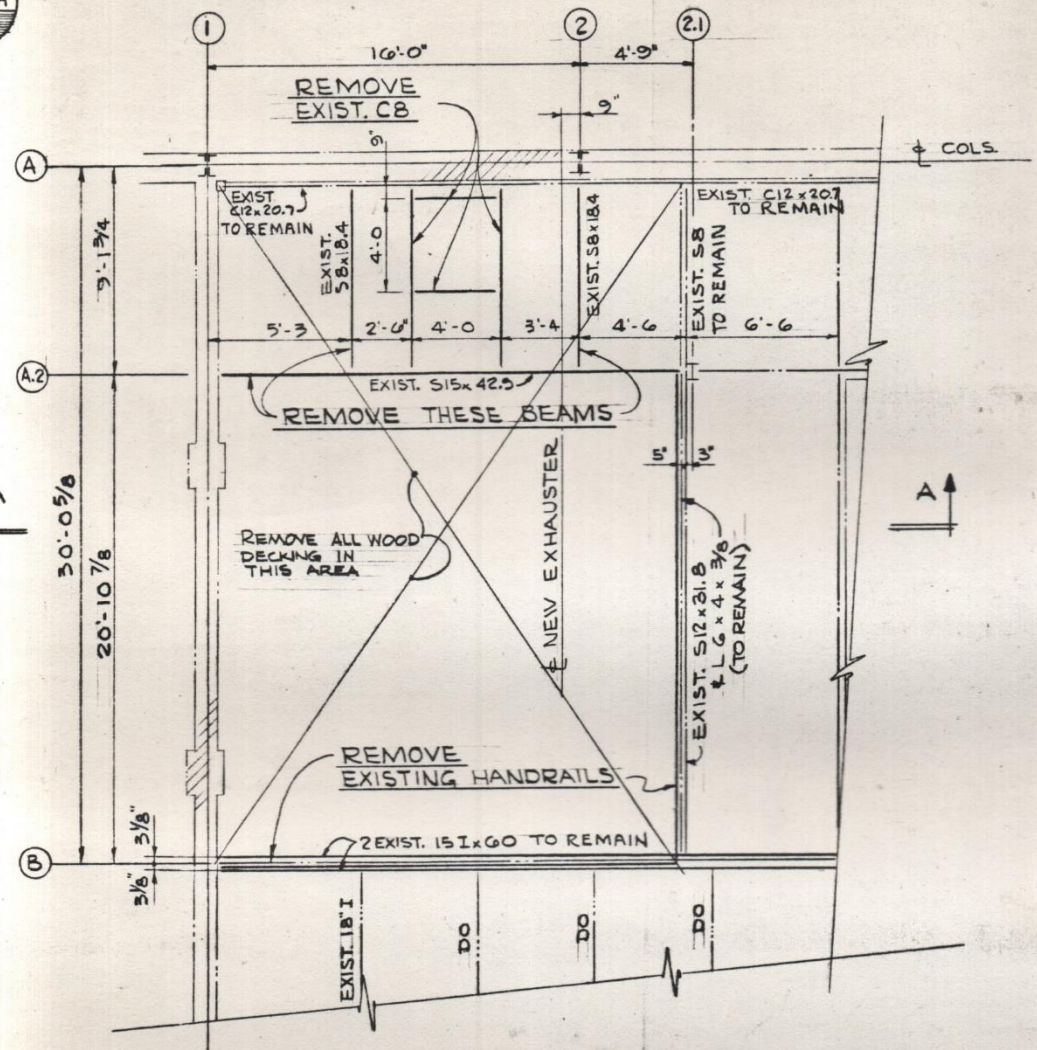
REVISIONS

NOTE: This drawing (or price) is the property of Interlake, Inc. U.S.A. and shall not be drawn, or reproduced in any manner, nor used for any purpose whatsoever except by written permission of Interlake, Inc.

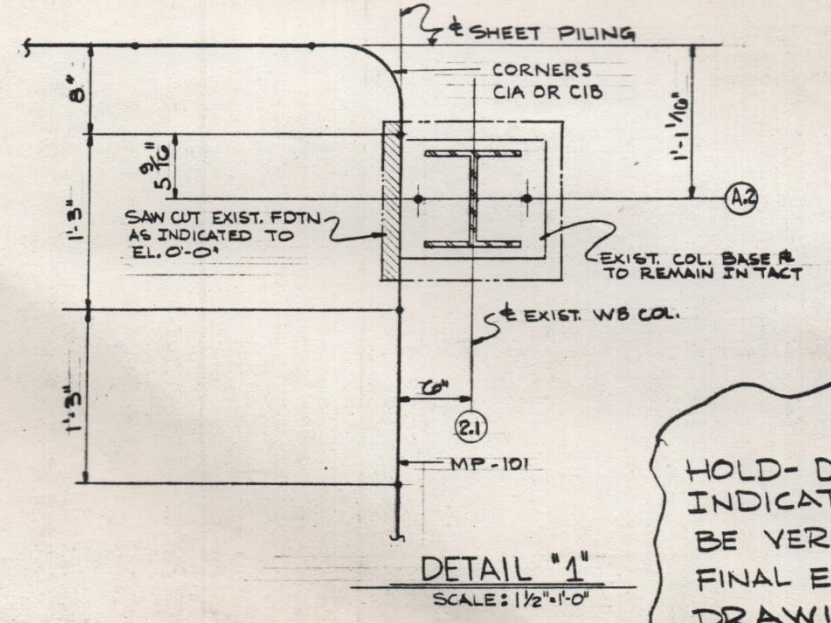
DO NOT SCALE WORK TO DIMENSIONS

DR. L. RIDGE
CH. PRINCE 3-19-76

CH. GBB
APP.
C-4675

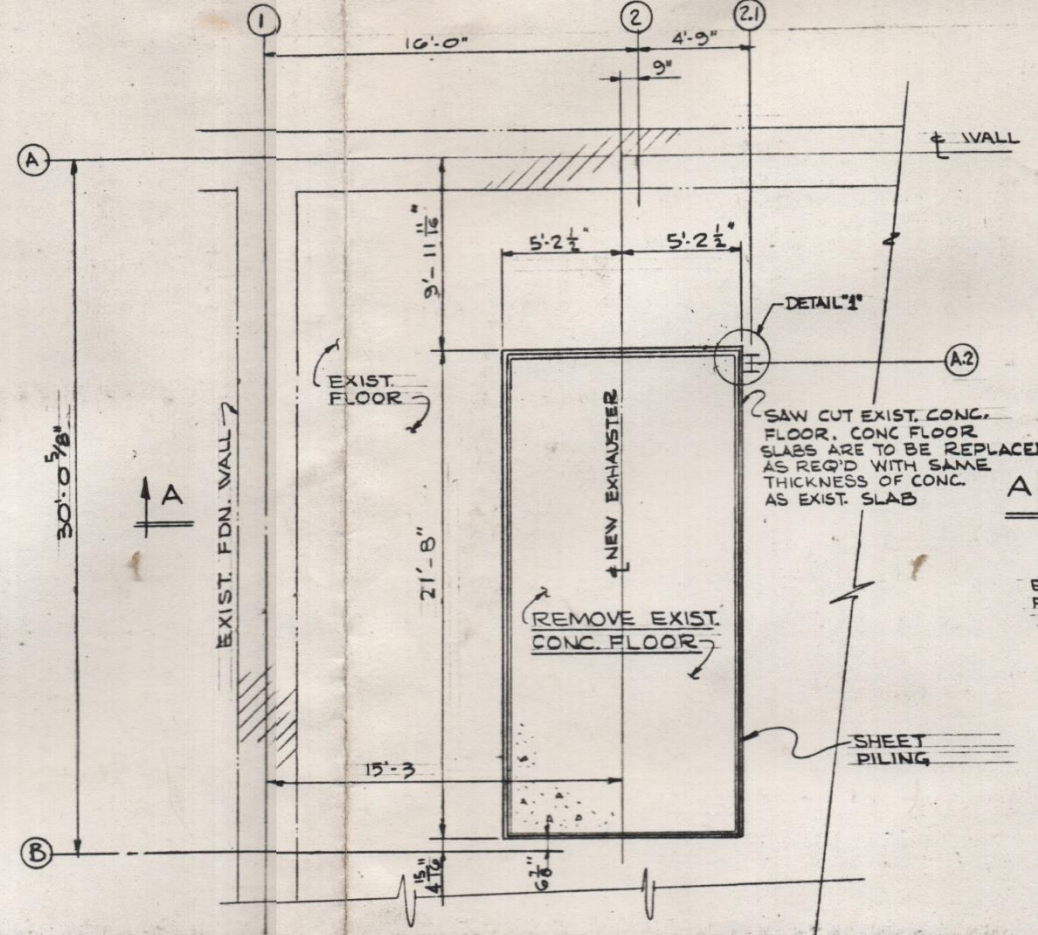


OPERATING FLOOR PLAN @ EL. 18'-10"
SCALE: 1/4" = 1'-0"

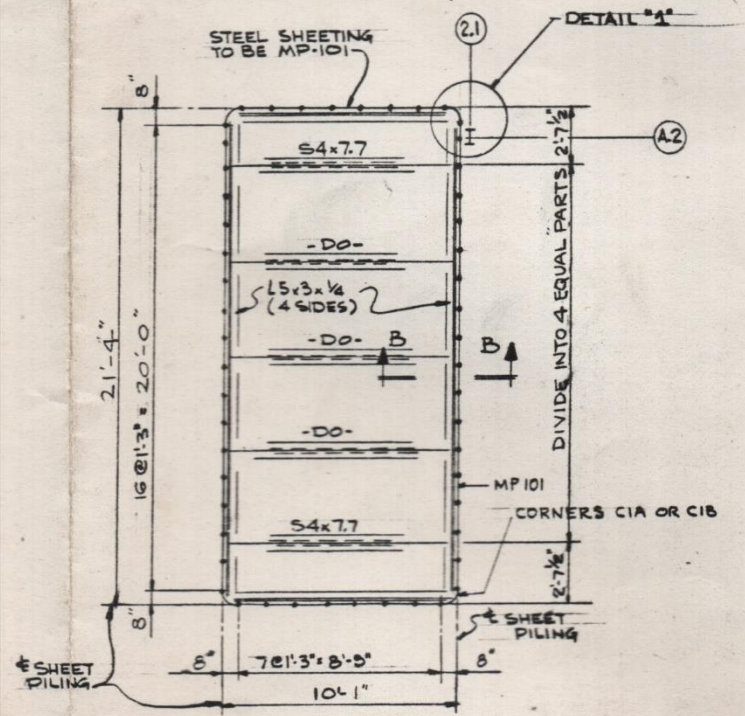


DETAIL #1
SCALE: 1/2" = 1'-0"

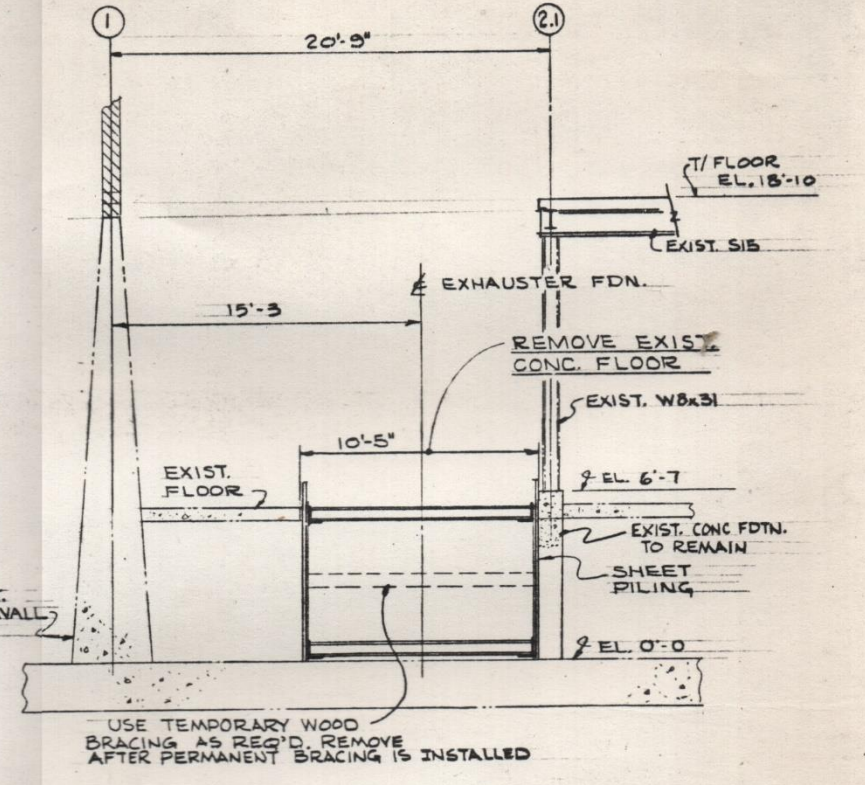
HOLD-DIMENSIONS INDICATED MUST BE VERIFIED BY FINAL EQUIPMENT DRAWINGS



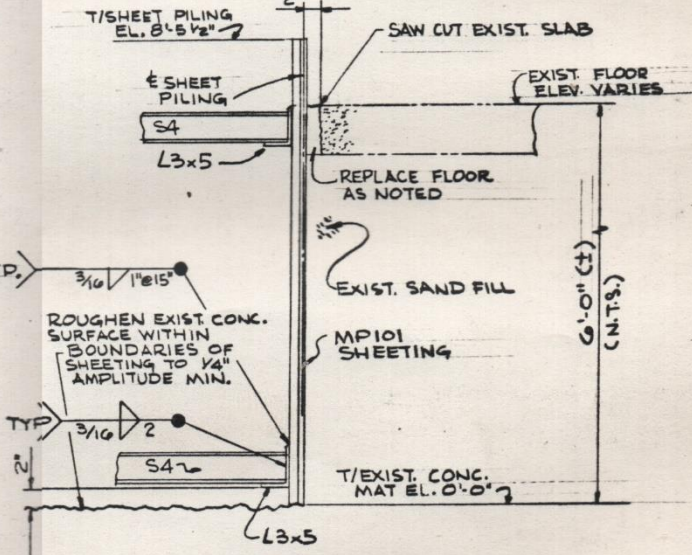
PLAN @ EL. 6'-7"
SCALE: 1/4" = 1'-0"



STEEL SHEETING PLAN
SCALE: 1/4" = 1'-0"



SECTION A-A
SCALE: 1/4" = 1'-0"



SECTION B-B
SCALE: 1" = 1'-0"

BILL OF MATERIAL	
ITEM NO.	DESCRIPTION

WILPUTTE COKE OVEN DIVISION

C-4678	EXHAUSTER FOUNDATION
C-4675	OPERATING FLOOR EXTENSION - PLAN
40119	EXHAUSTER HSE. OPERAT'G FLR. STL.
40120	" " " " " CONC.
REFERENCE DRAWINGS LISTED ABOVE	

interlake, inc.

PRELIMINARY
NOT FOR CONSTRUCTION
3-19-76

EC-2139	CHICAGO COKE PLANT NEW TURBO GAS EXHAUSTER FLOOR EXTENSION DEMOLITION
---------	--

DR. L. RIDGE	CH. GBB	C-4679
CH. PRINCE 3-19-76	APP.	

NOTE: This drawing (or print) is the property of the Interlake, Inc. U.S.A. and shall not be traced, or reproduced in any manner, nor used for any purpose whatsoever except by written permission of Interlake, Inc.

DO NOT SCALE WORK TO DIMENSIONS