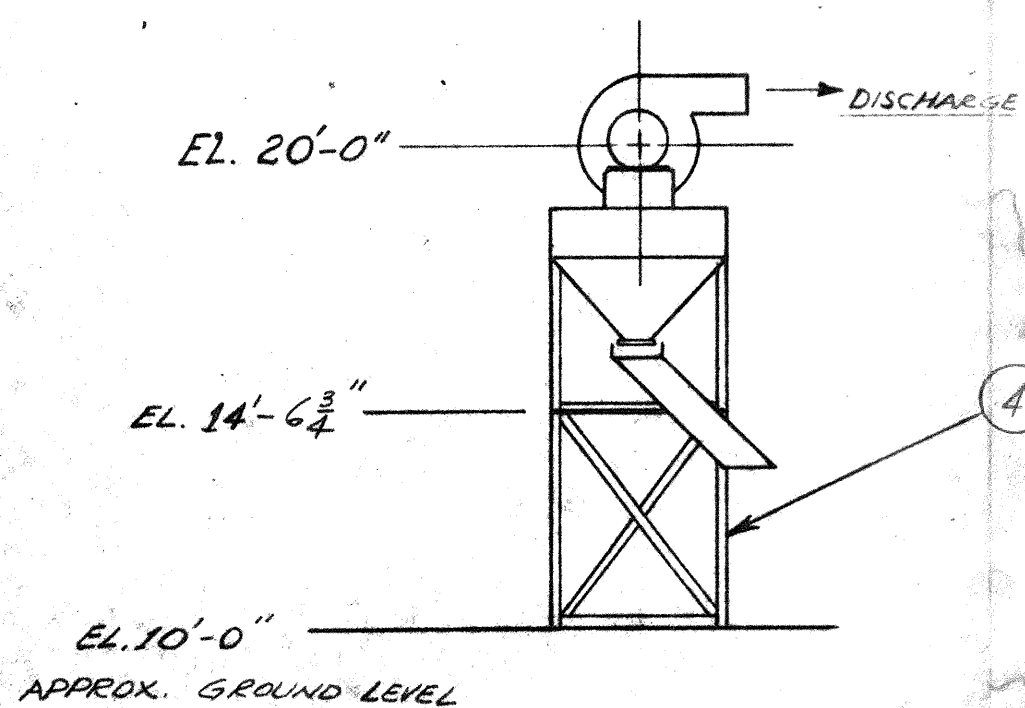
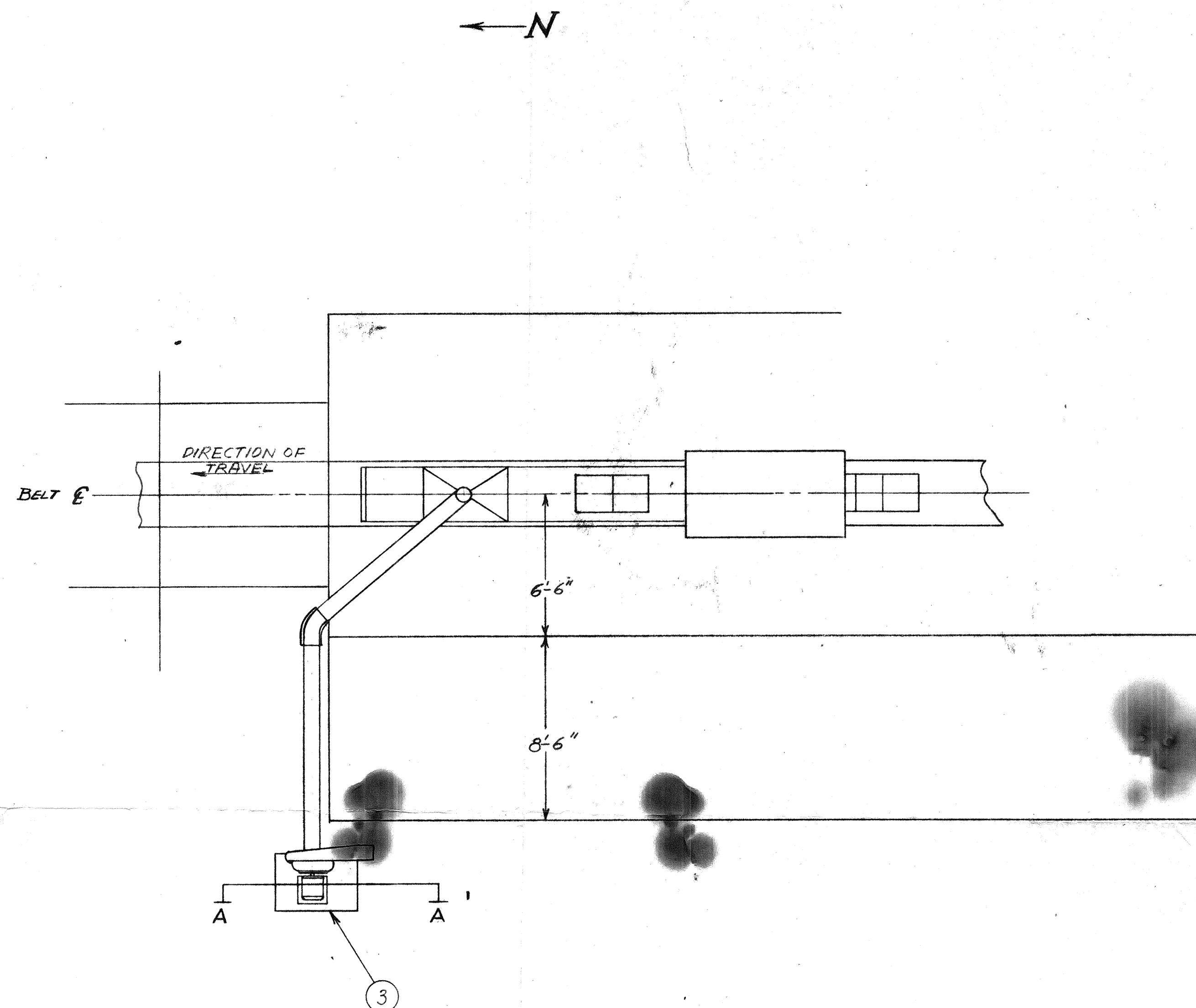


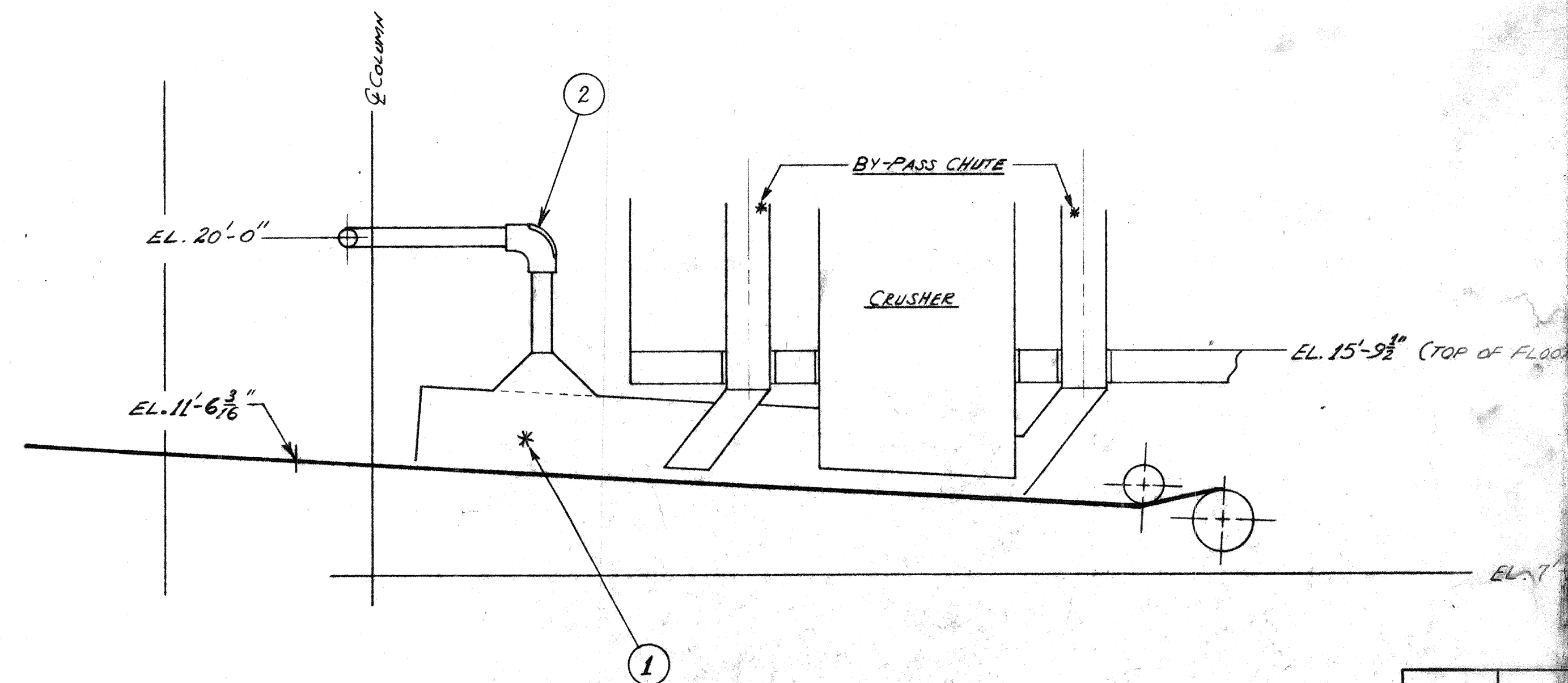
A-A
B-B
C-C
D-D
E-E
F-F
G-G
H-H
J-J
K-K
L-L
M-M

PCA-209

*BILL OF MATERIAL			
ITEM NO.	NO. REQ'D	DESCRIPTION	STOCK LENO. NO.
1	1	HOOD OVER SKIRT BOARD AREA A. INCREASE OF HOOD VOLUME, (WEIGHT & LENGTH). B. FLAP CLOSURE AT OPEN END.	11
2	-	EXHAUST HOOD & DUCTS (10" DIA.) A. ABRASION PADS FOR ELBOWS.	
3	1	ROTO-CLONE TYPE D No. 10 A. 3HP, MANUAL VALVE, & 6.5 FT ² HOPPER	10
4	1	ROTO-CLONE STAND	



SECTION A-A



JUN 10 1968
ENGINEERING DEPT.
CHICAGO

REFERENCE DRAWINGS LISTED ABOVE		
INTERLAKE STEEL CORPORATION CHICAGO, ILLINOIS RIVERDALE PLANT — RIVERDALE, ILLINOIS		
ER-1352-C	PROJECT	COST CENTER
AREA OF SECTION		SECT. NO.
COKE PLANT "W" CONVEYOR DUST COLLECTOR SYSTEM (PROPOSITION N#1)		
DR. LWP	APP.	
DATE 4-19-68	DO NOT SCALE	PCA-209
SCALE 1/4"=10'	WORK TO DIMENSIONS	

REVISIONS

NOTE: This drawing (or part) is the property of the Interlake Steel Corp. U.S.A. and shall not be traced, reproduced in any manner, nor used for any purpose whatsoever except by written permission of Interlake Steel Corp.