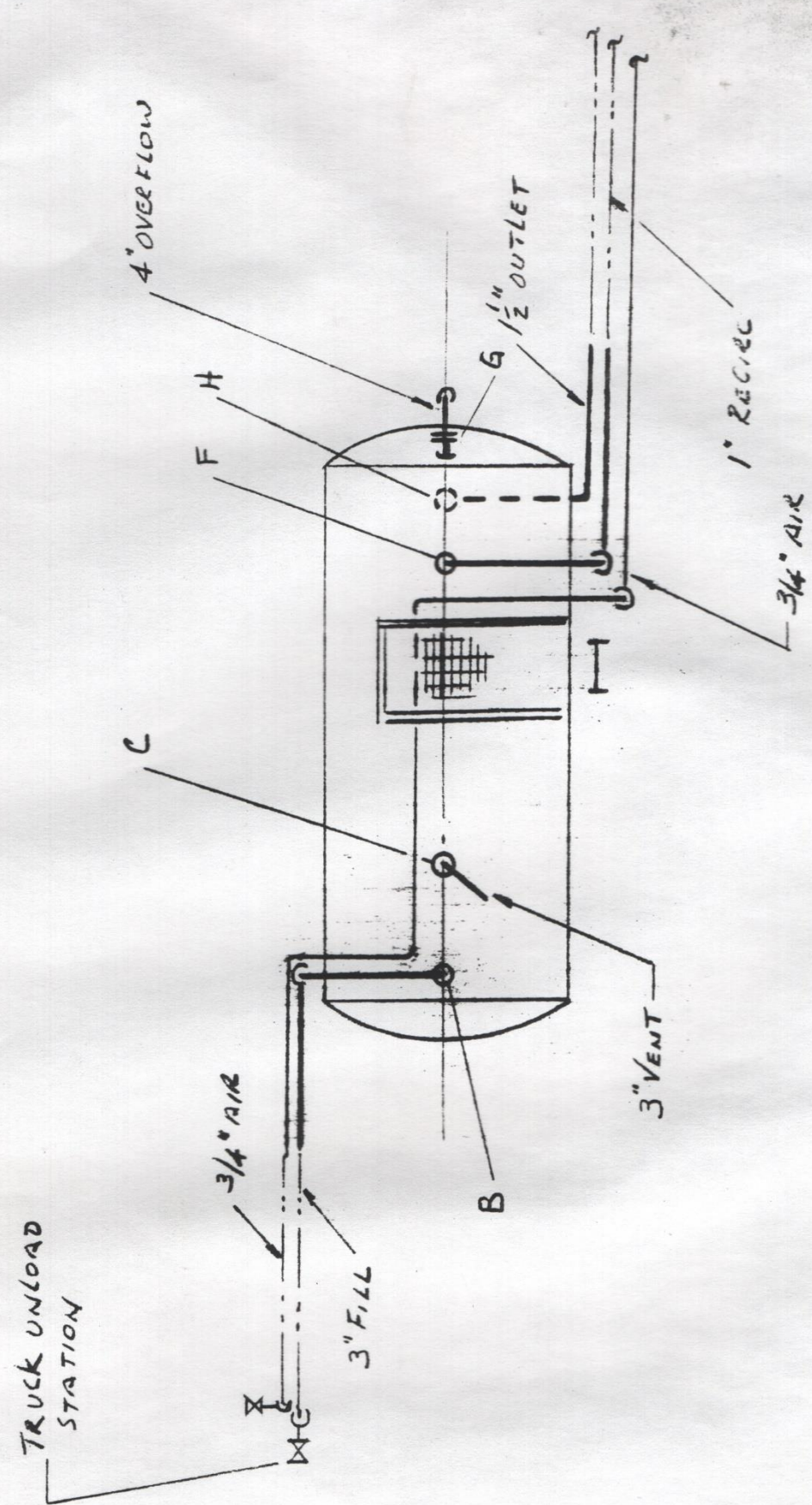


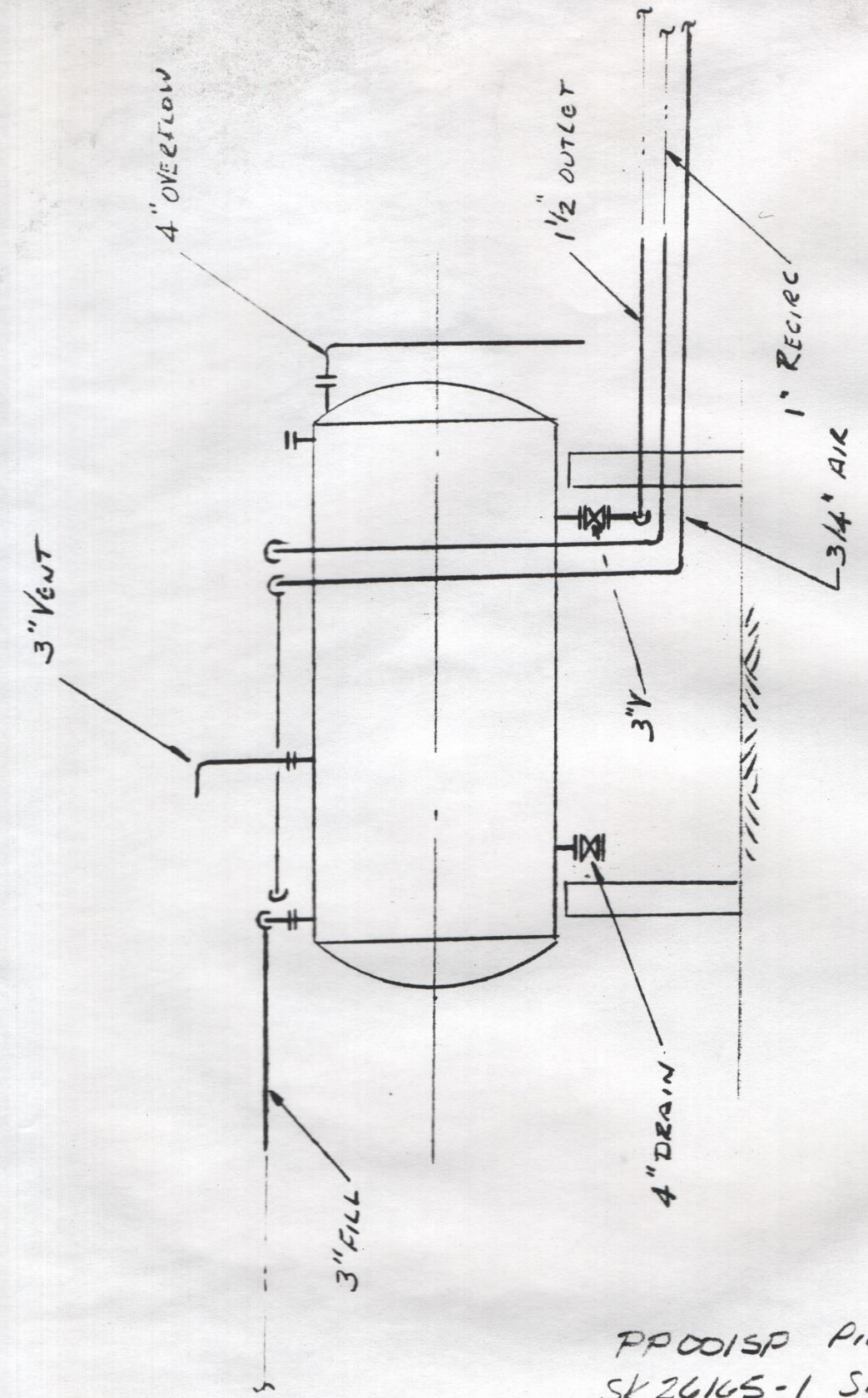
TANK TOP AND OVERHEAD PIPING PLAN

ACID TANK & PIPING
 DEMO 1/14/97
 C-3883-D

N



TANK PIPING PLAN



TANK PIPING ELEVATION

PP001SP PIPING MATERIALS
SK26165-1 SA TANK

<p>ACID TANK PIPING NEW 1/14/97 C-3883-N</p>
--