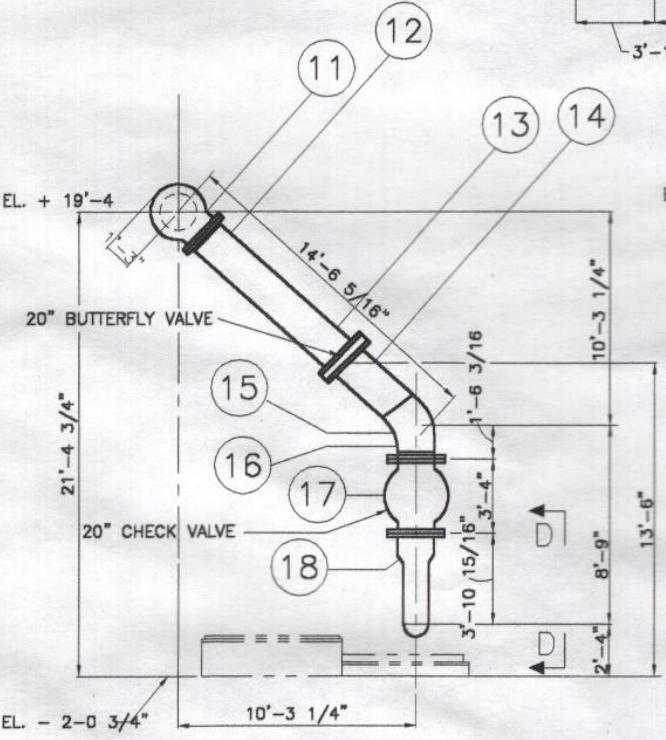


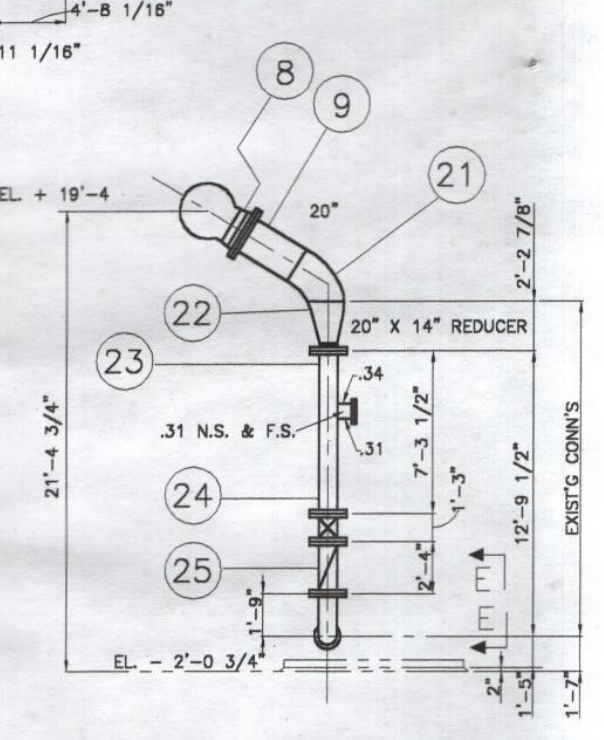
THICKNESS MEASUREMENT LOCATIONS (TYPICAL)

STA.	A	B	C	D	E	F	G	H
1	.37	.34	.29	.36	.32	.35	.34	.37
2	.36	.36	.35	.34	.31	.34	.33	.33
3	.36	.36	.30	-	-	-	.36	.35
4	.35	.35	.36	.31	.33	.32	.35	.32
5	.32	.31	.35	.31	.37	.32	.29	.31
6	.33	.34	.34	-	-	-	.33	.32
7	.37	.37	.28	-	-	-	.36	.34
8	.47	.46	-	-	-	-	.46	.46
9	.36	.33	-	-	-	-	.34	.33
10	.33	.32	.34	.32	.30	.30	.32	.28
11	.45	.40	.45	.38	.27	.39	N/A	.46
12	-	-	.36	.29	.29	.32	.32	-
13	.30	.34	-	.34	.25	.25	.30	.33
14	.35	.34	-	.27	.32	.28	.31	.27
15	.29	.28	-	-	-	.34	.37	.32
16	.28	.29	.33	.30	.36	.32	.28	.28
* 17	.27	.22	.27	.24	.26	-	.32	-
18	.38	-	.34	.37	.33	.39	.38	.34
19	.33	-	.34	.33	.35	.34	.34	.28
20	.31	-	.30	-	.33	-	.35	-
21	.37	.38	.38	-	-	-	.37	.37
22	.39	.44	.44	-	-	-	.36	.36
23	.33	.34	.34	-	-	-	-	-
24	.30	.33	.31	.31	.30	.31	.31	.32
25	.31	-	.30	-	.30	-	.30	-
* 26	.23	-	.17	-	-	-	.30	-
27	.43	.40	.39	.39	.39	.38	.37	.39
28	.36	.38	.39	.42	.39	.36	.40	.40
29	.37	.33	.37	.38	.36	.36	.38	.39
30	.32	.32	.32	.33	.31	.32	.30	.34
31	.23	.29	.28	.29	.27	.28	-	.26

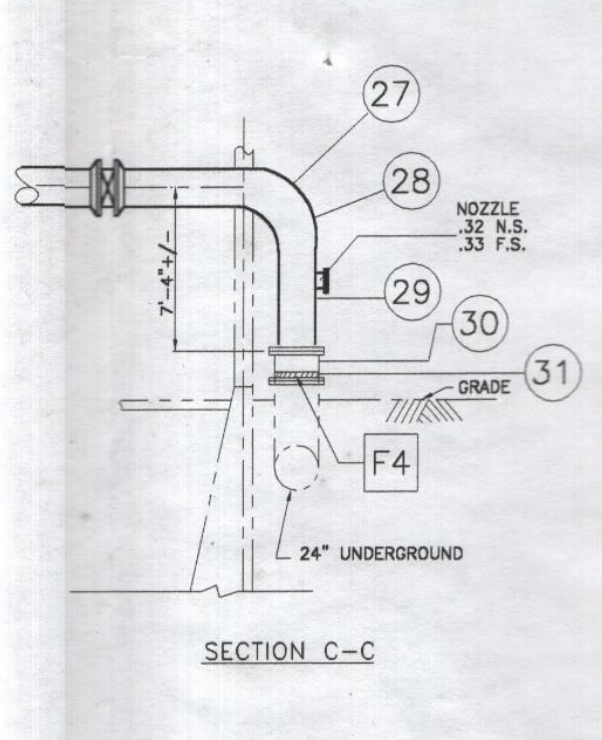
* DENOTES WHERE MEASUREMENTS WERE ERRATIC. THE SUBJECT MATERIAL IS MOST LIKELY CASTIRON.



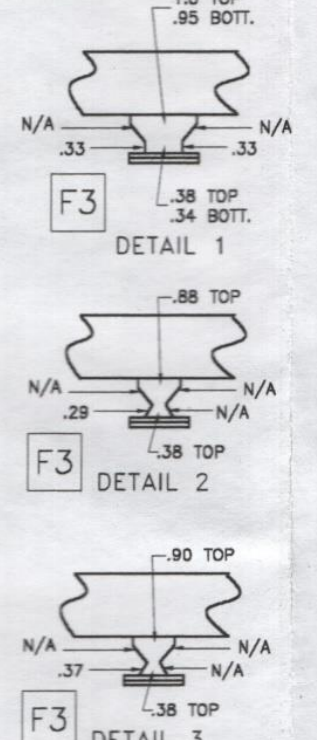
SECTION A-A



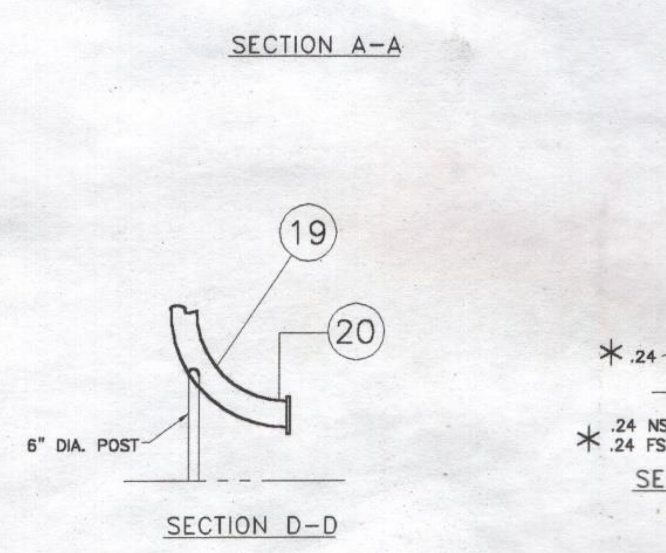
SECTION B-B



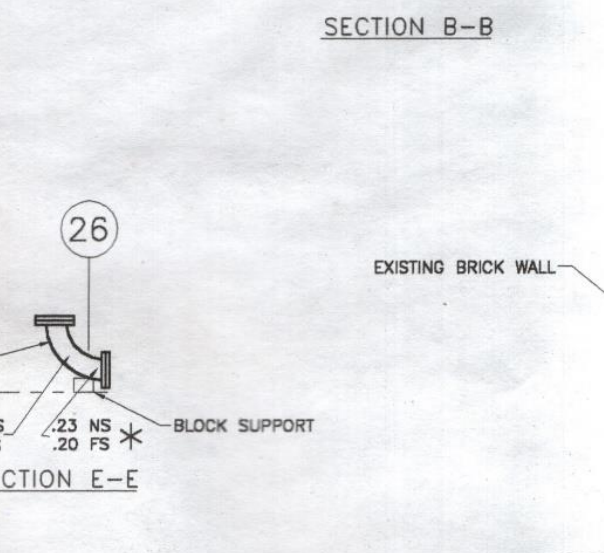
SECTION C-C



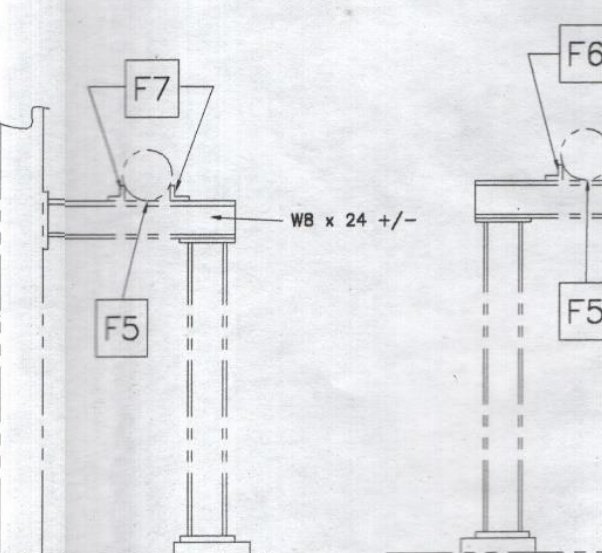
DETAIL 1
DETAIL 2
DETAIL 3



SECTION D-D

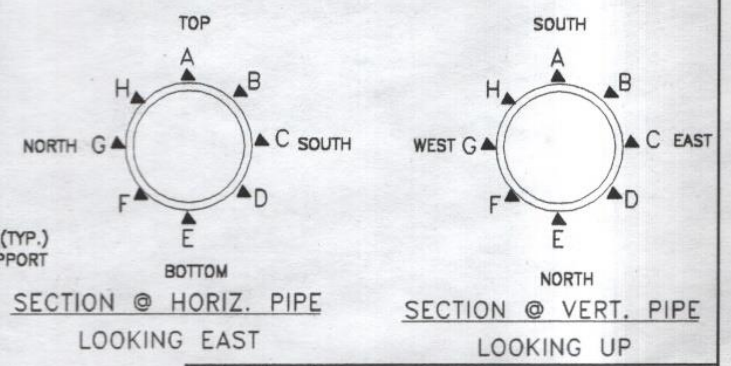


SECTION E-E



SECTION F-F

SECTION G-G



SECTION @ HORIZ. PIPE
LOOKING EAST

SECTION @ VERT. PIPE
LOOKING UP

NOTE:
THIS DRAWING IS ONLY INTENDED TO CONVEY THE INSPECTION RESULTS OF THE HEADER. FOR THE DESIGN/DETAIL CONFIGURATION OF THE PIPING SYSTEM/HEADER REFER TO ACME STEEL DWG. # C-4516. SIZES AND TYPES OF VALVES SHOWN ON THIS DWG. WERE TAKEN FROM ACME STEEL DWG.C-4516.

REV. BY	DATE	DESCRIPTION

INSPECT, INC.
Engineering and Inspection Services
8896 Louisiana Street, Merrillville, IN 46410
Phone (219) 736-8002 Fax (219) 736-8003

ACME STEEL COMPANY - COKE PLANT
UTILITY DEPT. - POWER HOUSE
MILL WATER DISCHARGE HEADER
2000 INSPECTION

DRAWN BY	SHEET	CHECKED BY	DATE	SCALE	PROJECT NO.	DRAWING NUMBER
MFM	12/00				00-198	1